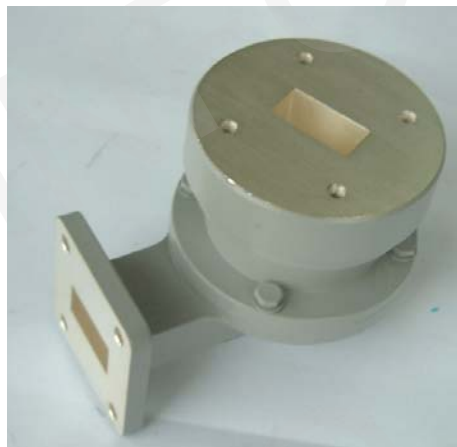




Test report is for reference only.

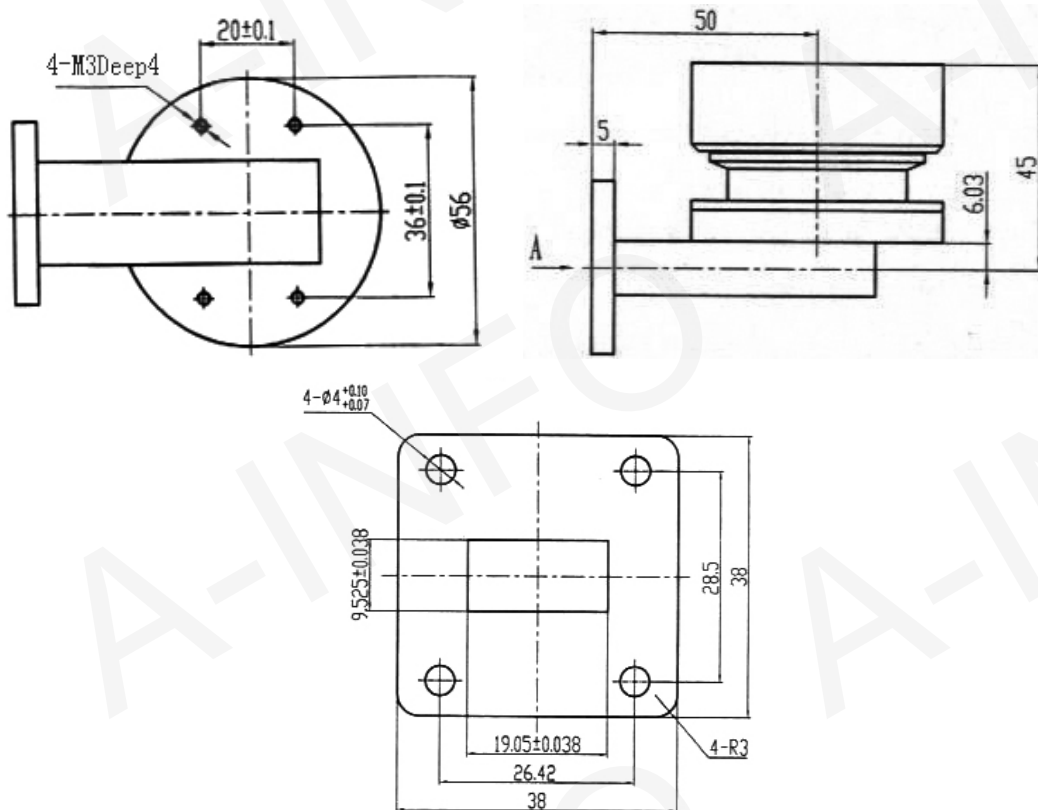
TEST REPORT
For
75WRJL



Technical Specification

Frequency Range(GHz)	13.75-14.5
VSWR	1.3 max
Insertion Loss(dB)	0.3 max
Material	Cu
Waveguide	WR75
Flange	FBP120
Net Weight(Kg)	0.69 Around

Outline Drawing (Size: mm)



Test Results

Insertion Loss(dB)	VSWR
0.17	1.14