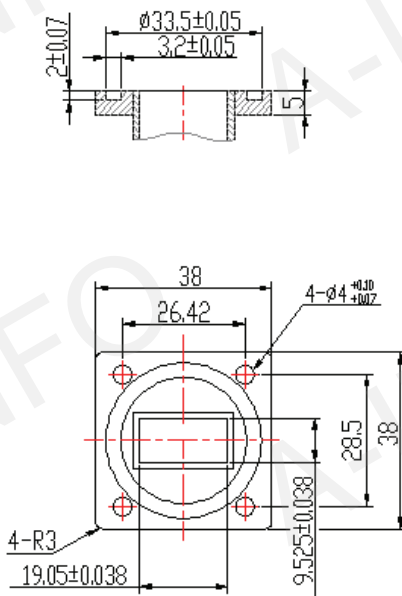


Flange Drawing (Size: mm)



FBM120

Test Results Table

Item	Technical Specification	Test Results
Frequency(GHz)	13.75-14.5	13.75-14.5
Coupling(dB)	30	29.5-30.6
Mainline VSWR	1.15 max	1.07 max
Secondline VSWR	1.25 max	1.24 max
Directivity(dB)	18dB min	19dB min
Waveguide	WR75	WR75
Flange	FBM120	FBM120
Coupling Port	SMA-Female	SMA-Female
Material	Al	Al