



Test report is for reference only.

**TEST REPORT**

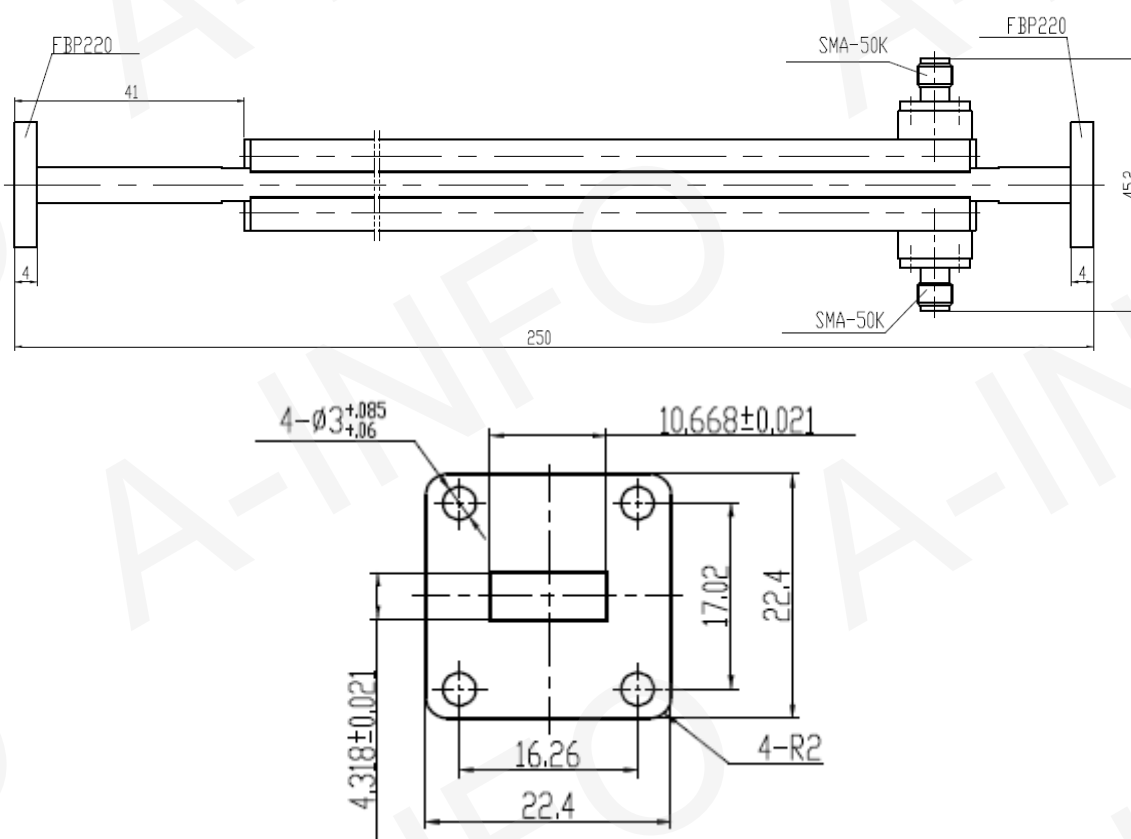
**For**

**42WDCS-10**

## Technical Specification

Frequency Range(GHz)	18.0– 26.5
Coupling(dB)	10
Coupling Accuracy(dB)	±1.0 max
VSWR	1.25 max
Frequency Sensitivity(dB)	±0.9 max
Isolation(dB)	40 min
Waveguide	WR42
Flange	FBP220
Connector	SMA-Female
Net Weight(Kg)	0.19 Around

## Outline Drawing (Size: mm)



## Test Results

Port	Coupling(dB)	Isolation(dB)	VSWR
Port 1	9.26	44.99	1.11
Port 2	9.08	44.80	