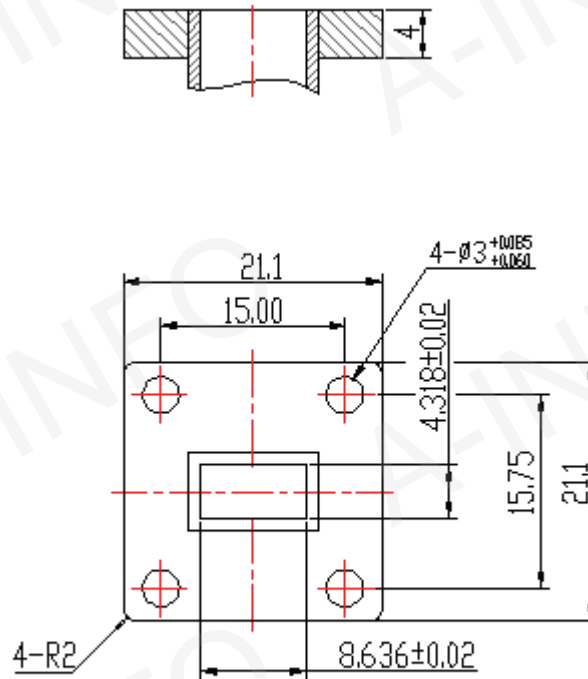


## Flange Drawing (Size: mm)



**FBP260**

## Test Results Table

Item	Technical Specification	Test Results
Frequency(GHz)	22-33	22-33
Coupling(dB)	$30 \pm 1.5$	49.0-51.2
Mainline VSWR	1.15 max	1.14 max
Second Line VSWR	1.50 max	1.40 max
Directivity(dB)	30dB min	30.8 min
Waveguide	WR34	WR34
Flange	FBP260	FBP260
Coupling Port Connector	2.92mm-Female	2.92mm-Female
Material	Cu	Cu