



Test report is for reference only.

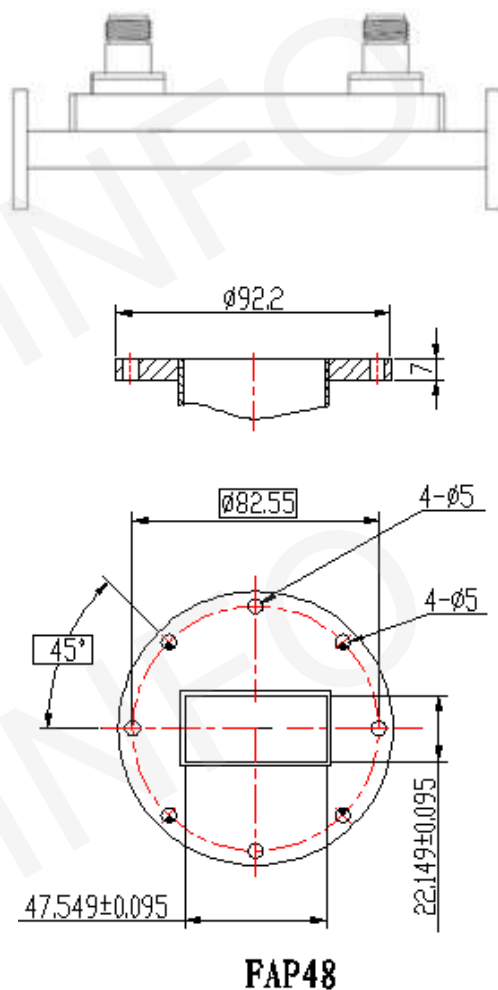
TEST REPORT
For
187WUCN-30



Technical Specification

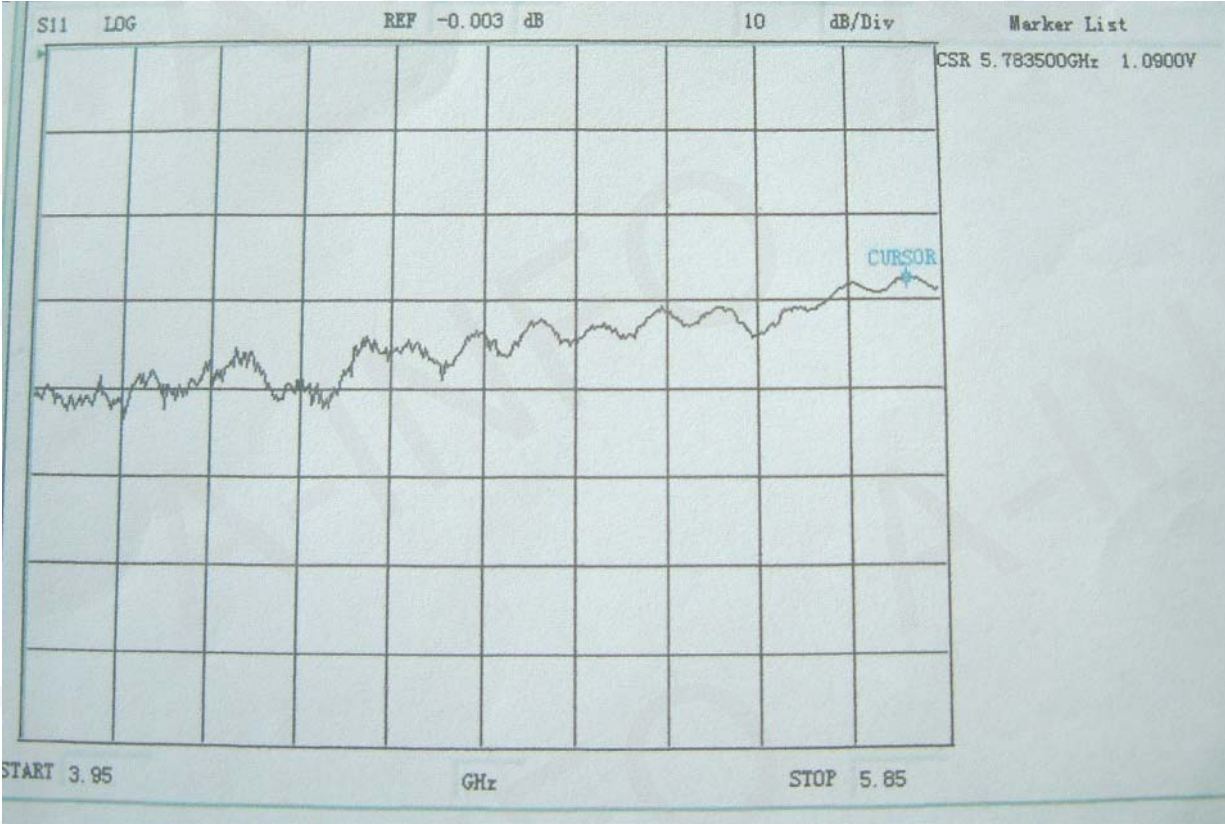
Frequency Range(GHz)	3.95-5.85
Coupling(dB)	30
Coupling Accuracy(dB)	± 1
Frequency Sensitivity(dB)	± 1
Mainline VSWR	1.10
Second line VSWR	1.25
Directivity(dB)	18
Waveguide	WR187
Flange	FAP48
Coupling Connector	N-Female
Material	Al
Net Weight(Kg)	0.6 Around

Outline Drawing (Size: mm)



Test Results

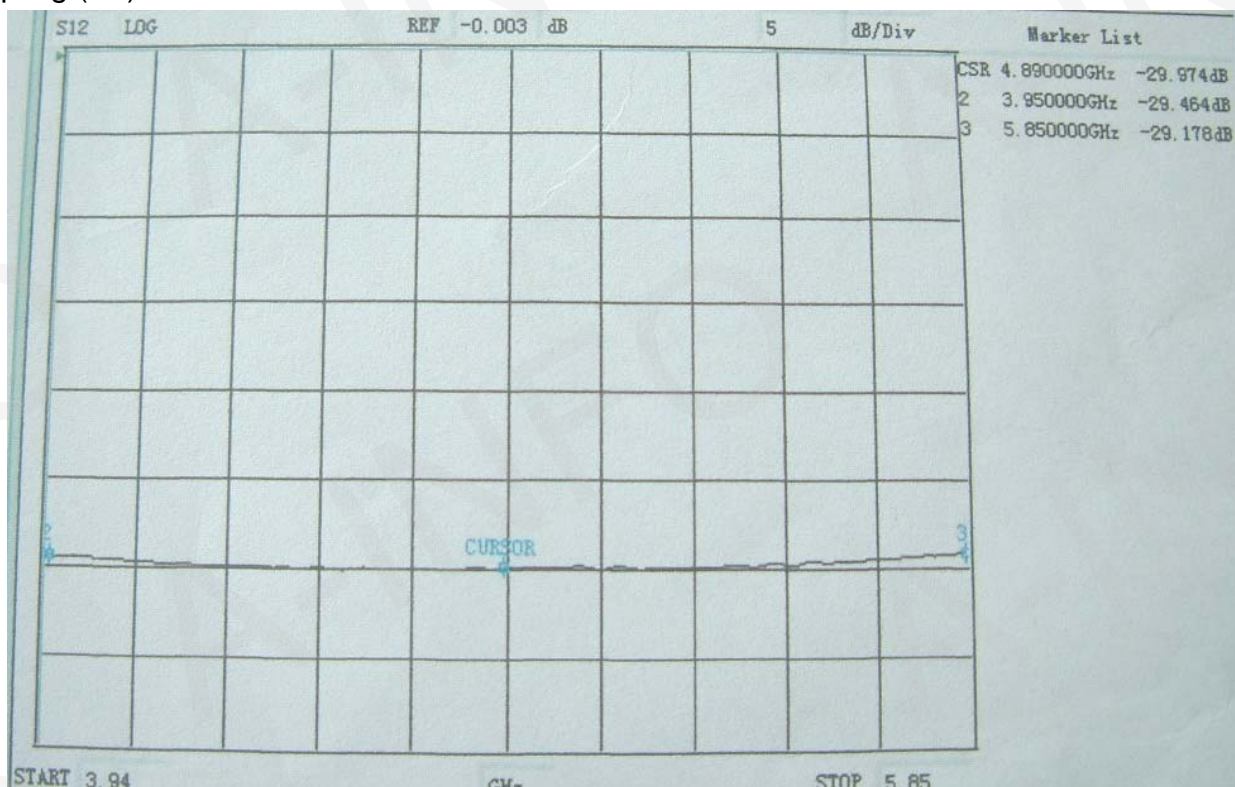
Main line VSWR



Second line VSWR



Coupling (dB)



Isolator (dB)

