



Test report is for reference only.

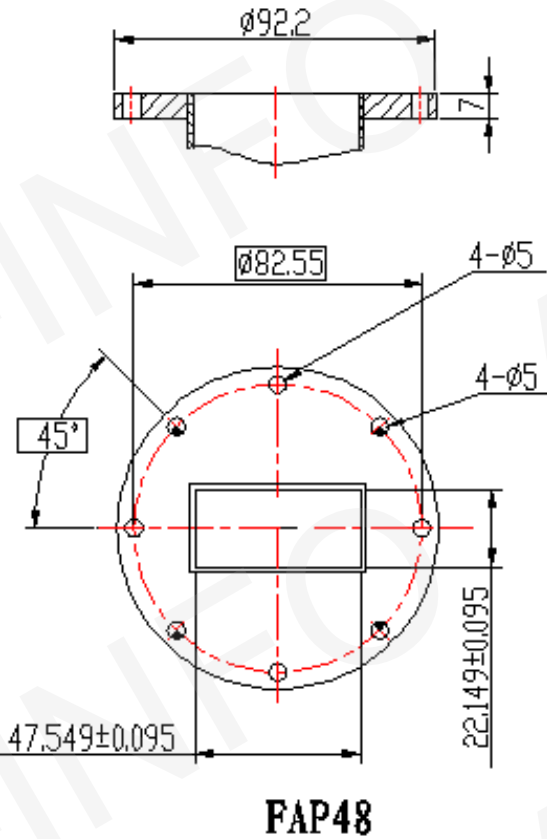
TEST REPORT
For
187WEB-80-80-40



Technical Specification

Frequency Range(GHz)	3.95-5.85
VSWR	1.15
Waveguide	WR187
Flange	FAP48
Material	Al
Size(mm)	A=B=80;R=40
Net Weight(Kg)	0.31 Around

Flange Drawing (Size: mm)



Test Results

VSWR

