



Test report is for reference only.

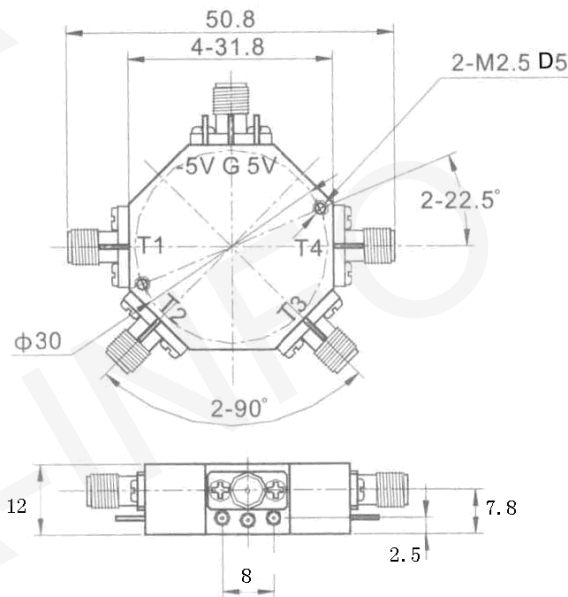
TEST REPORT
For
JXWBKG-T-4-0.5-20-AI



Technical Specification

Frequency Range(GHz)	0.5-20
VSWR	2.0 max
Insertion Loss(dB)	5.2 max
Isolation(dB)	60 min
Switching Speed (ns)	50 max
Power Handling(W)	0.5
Operating Temperature(°C)	-55~ +85
Storage Temperature(°C)	-65~ +125
Material	Al
Net Weight (Kg)	0.030 Around

Outline Drawing (Size: mm)



Test Results

Frequency(GHz)	Port	Insertion Loss(dB)		VSWR	Isolation(dB)	Switching Speed(ns)
		min	max	max		
0.5-20	T0 → T1 1 1 1 0	0.93	3.59	1.79	75 min	50 max
	T0 → T2 1 1 0 1	1.15	3.26	1.76	75 min	50 max
	T0 → T3 1 0 1 1	1.00	2.10	1.70	75 min	50 max
	T0 → T4 0 1 1 1	0.95	3.06	1.78	75 min	50 max