



Test report is for reference only.

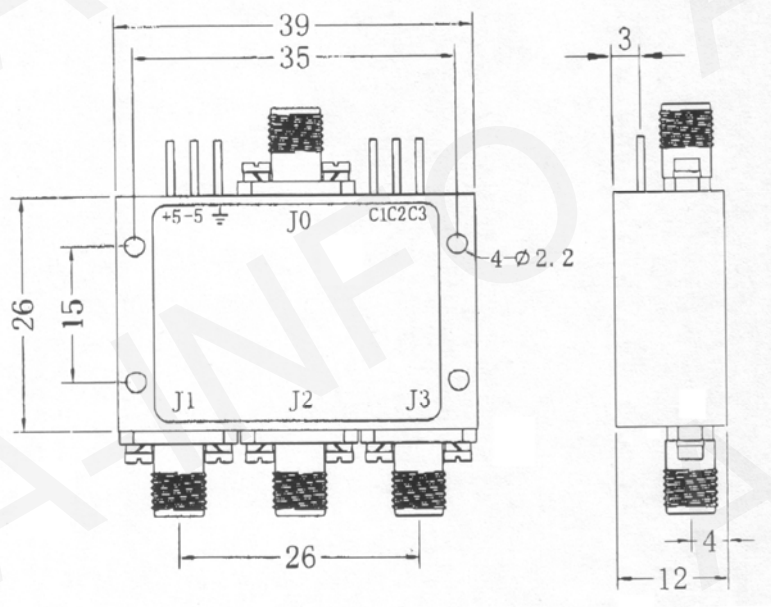
TEST REPORT
For
JXWBKG-T-3-10-500-A



Technical Specification

| | |
|---------------------------|-----------------------|
| Frequency Range(MHz) | 10-500 |
| Insertion Loss(dB) | 1.6max |
| VSWR | 1.4 max |
| Isolation(dB) | 80 min |
| Switching Speed(ms) | 0.5 |
| Connector | SMA-Female(Removable) |
| Operating Temperature(°C) | -40 ~ +70 |
| Storage Temperature (°C) | -55 - +85 |
| Net Weight(Kg) | 0.065 Around |

Outline Drawing (Size: mm)



Test Results

| Port | Frequency Range (MHz) | Insertion Loss (dB) | VSWR | Isolation (dB) |
|-------|-----------------------|---------------------|------|----------------|
| J0~J1 | 10-500 | 0.88 | 1.26 | 91 |
| J0~J2 | 10-500 | 0.79 | 1.25 | 85 |
| J0~J3 | 10-500 | 0.86 | 1.25 | 90 |