



Test report is for reference only.

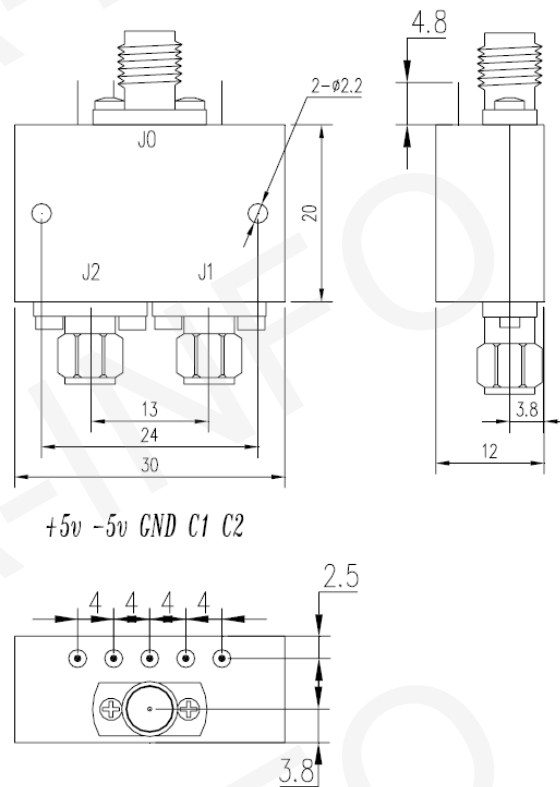
**TEST REPORT**  
**For**  
**JXWBKG-T-2-8-10.7**



### Technical Specification

Freq.Range (GHz)	8~10.7
Isolation (dB)	35 min
Power Handling (W)	10 CW,90 Peak
VSWR	1.8:1
Switching Speed (μs)	10
Insertion Loss (dB)	1.5 max
N.W (Kg)	0.055 Around

### Outline Drawing (Size: mm)



### Test Results

Frequency Range (GHz)	Port	Insertion Loss(dB)		VSWR max	Isolation(dB)	Phase
		min	max			
8-10.7	J0→ J1 10	1.17	1.19	1.51	45 min	0
	J0→ J2 01	1.05	1.23	1.52	45 min	+2.3