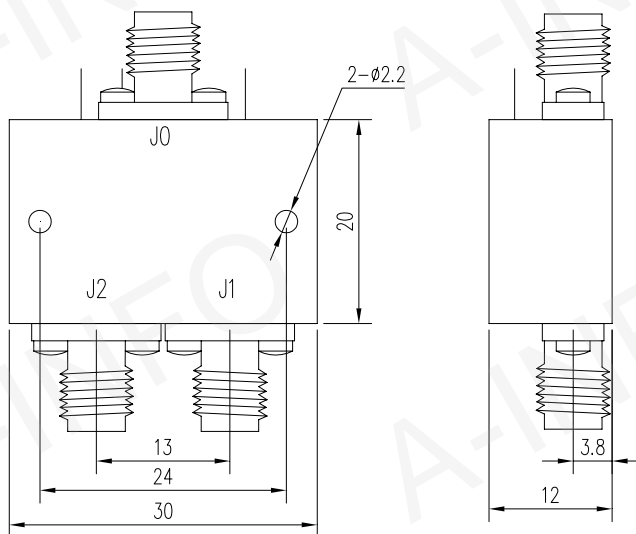


Outline Drawing (Size: mm)



Technical Specification

Item	Technical Specification
Frequency(GHz)	6-15
Insertion Loss(dB)	2.8 max
VSWR	2.0 max
Isolation(dB)	60 min
Switching Speed(us)	1 max
Power Handling(W)	2-4
Power Supply(V)	+5,-5
Control Voltage	TTL
Connectors	SMA- Female
Operating Temperature(°C)	-55 ~ +85

Test Results

Control Port	Port	Insertion Loss(dB)		VSWR	Isolation(dB)
		min	max		
C2C1	J0-J1	1.21	2.35	1.91	>60
01	J0-J2	1.25	2.42	1.92	