



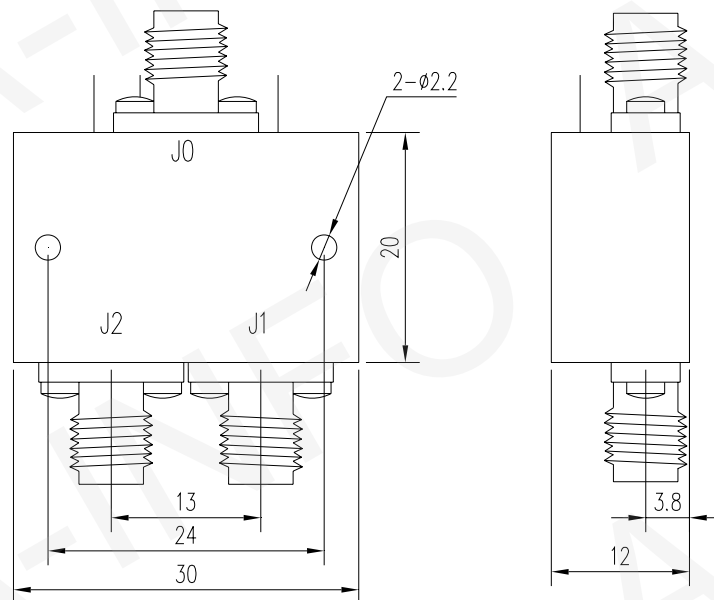
Test report is for reference only.

TEST REPORT
for
JXWBKG-T-2-24000-A

Technical Specification

Frequency Range(GHz)	24
Insertion Loss(dB)	4.0 max
Isolation(dB)	60 min
Switching Speed(ns)	100 max
Input Power(W)	0.2 CW
Operating Temperature(°C)	-40 ~ +70
Connector	SMA-Female
Net Weight(Kg)	0.02 Around

Outline Drawing (Size: mm)



Test Results

Frequency (GHz)	Channel	Insertion Loss (dB)	VSWR		Isolation (dB)
		max	S11	S22	
24	J0→J1	4.20	1.24	1.69	62
	J0→J2	4.23	1.30	1.66	62