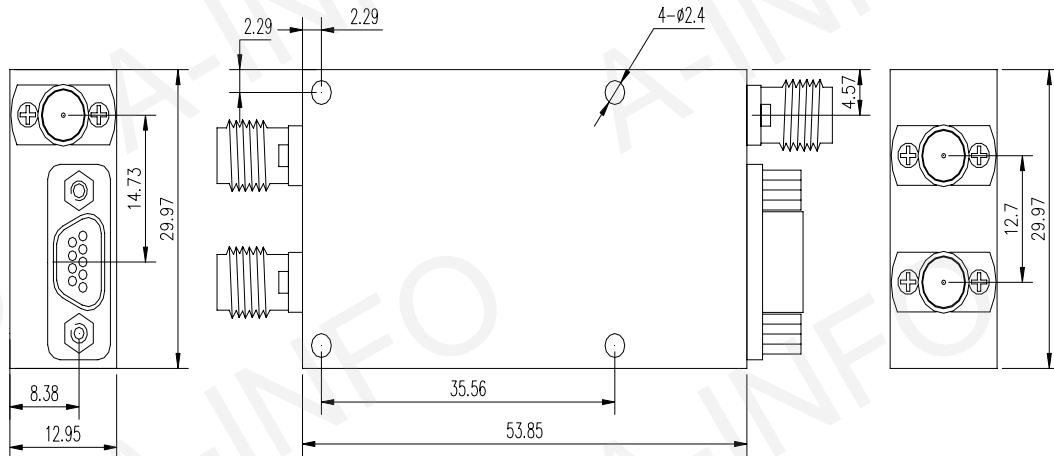


Outline Drawing (Size: mm)



Technical Specification

Frequency Range(GHz)	2.2 – 2.5
Insertion Loss(dB)	1.0 max
VSWR	1.5 max
Isolation(dB)	40 min
Input Power (W) (hot switching without damage)	25
Switch Speed(ns)	200 max
DC Voltage(V)	+12 (0.1A) & -28~-20 (0.05A)
EMI Shielding(dB)	60 min
Connector	SMA-Female
Operating Temperature(°C)	-40 ~ +85
Control Mode	Single Line TTL
Maximum Weight(g)	60g
DC and Control Connector	Miniature D-sub Connector
Connectors used are all hermetically sealed for better environmental performance	

Test Results

TTL	Port	Insertion Loss(dB)		VSWR max	Isolation(dB) min
		min	max		
0	J0-J1	0.40	0.46	1.15	62.3
1	J0-J2	0.53	0.54	1.24	60.9

Control Port

Port	1	2	3	4	5	6	7	8	9
Action	+12V	GND	-28V	GND	ANT_SEL	GND			