



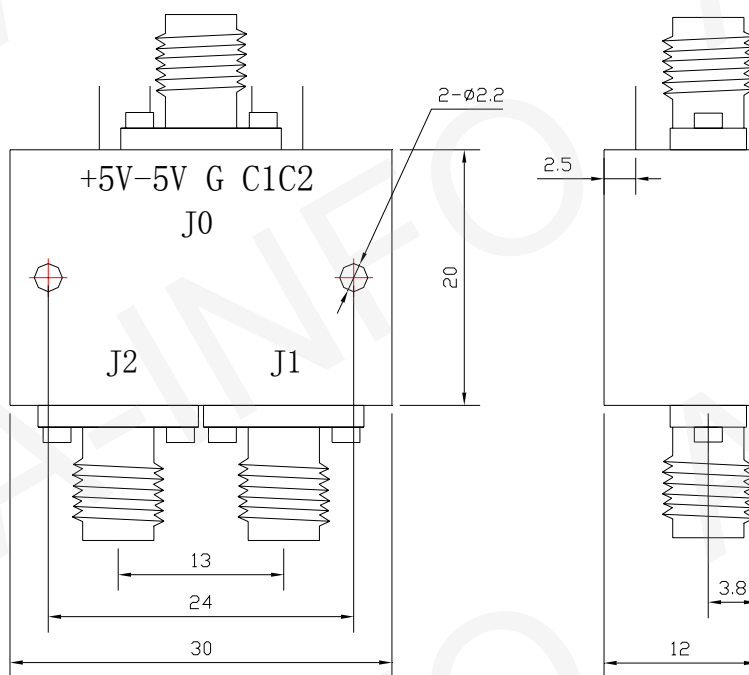
Test report is for reference only.

TEST REPORT
For
JXWBKG-T-2-2-18-A

Technical Specification

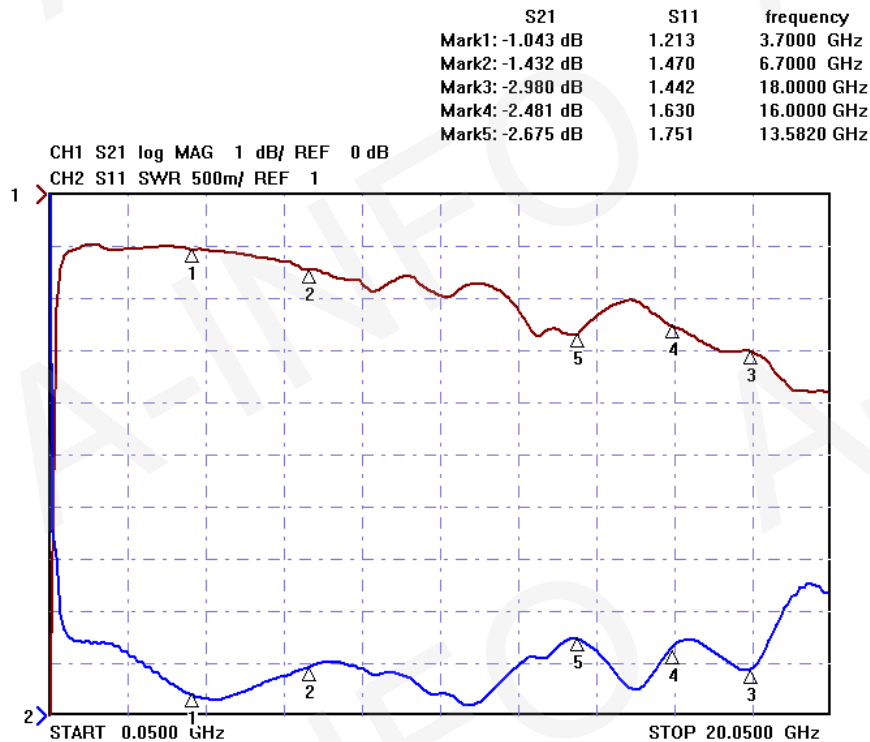
Frequency Range(GHz)	2-18
Insertion Loss(dB)	3.2 max
VSWR	1.8 max
Isolation(dB)	55 min
Switch Speed(ns)	50
Connector	SMA-Female
Net Weight(Kg)	0.02 Around

Outline Drawing (Size: mm)

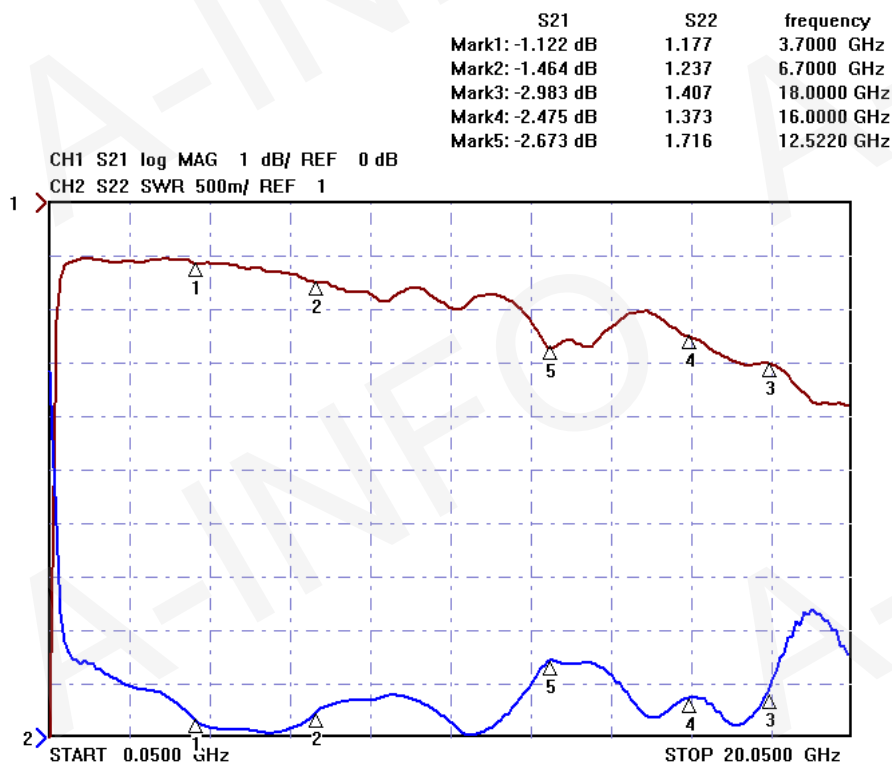


Test Results

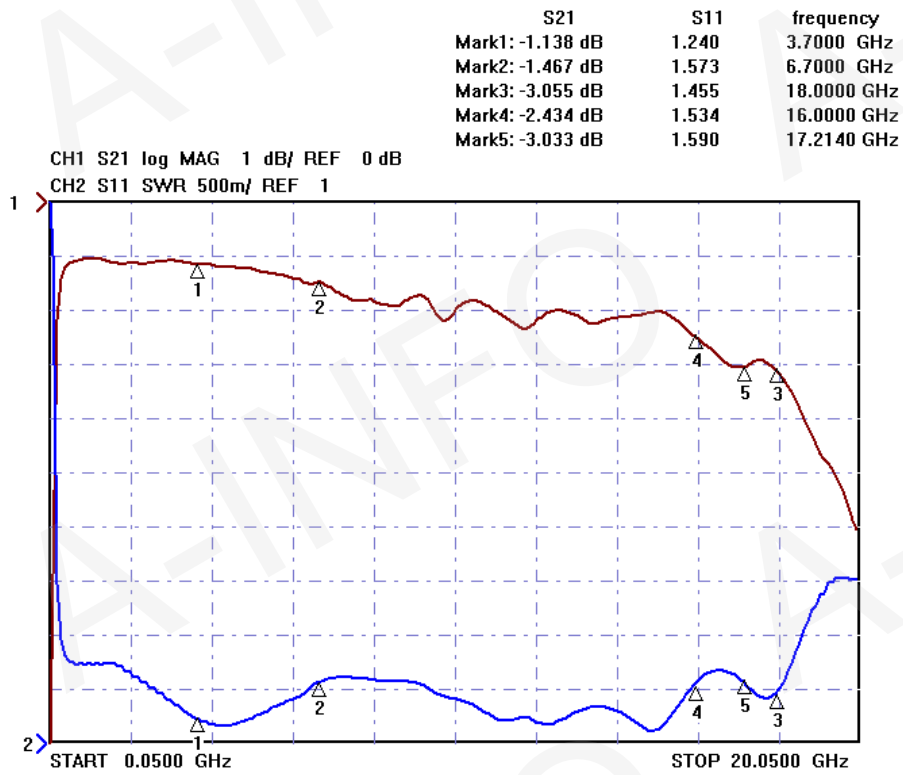
1. Insertion Loss & Input VSWR (J0-J1)



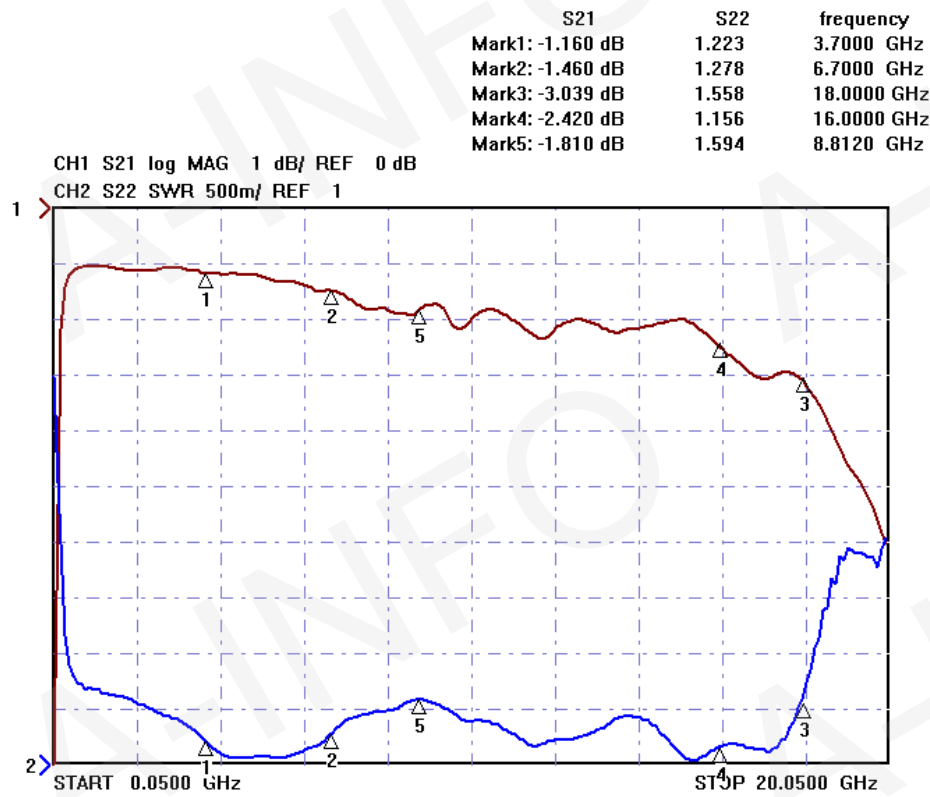
Insertion Loss & Output VSWR (J0-J1)



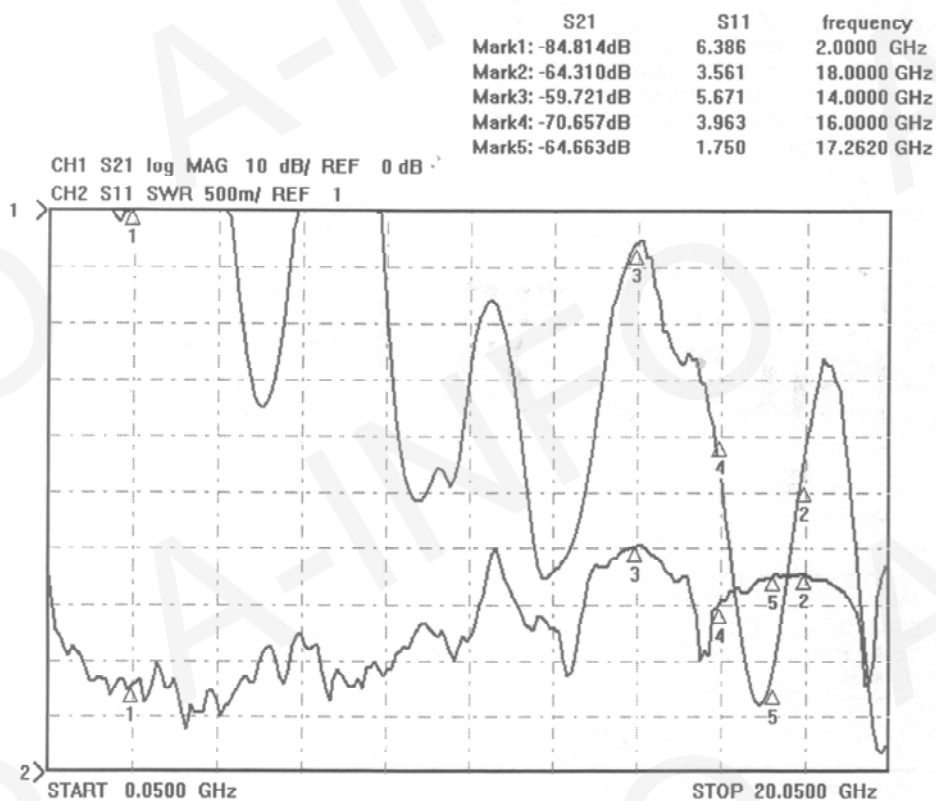
2.Insertion Loss & Input VSWR (J0-J2)



Insertion Loss & Output VSWR (J0-J2)



3.ISO (J0-J1)



ISO (J0-J2)

