



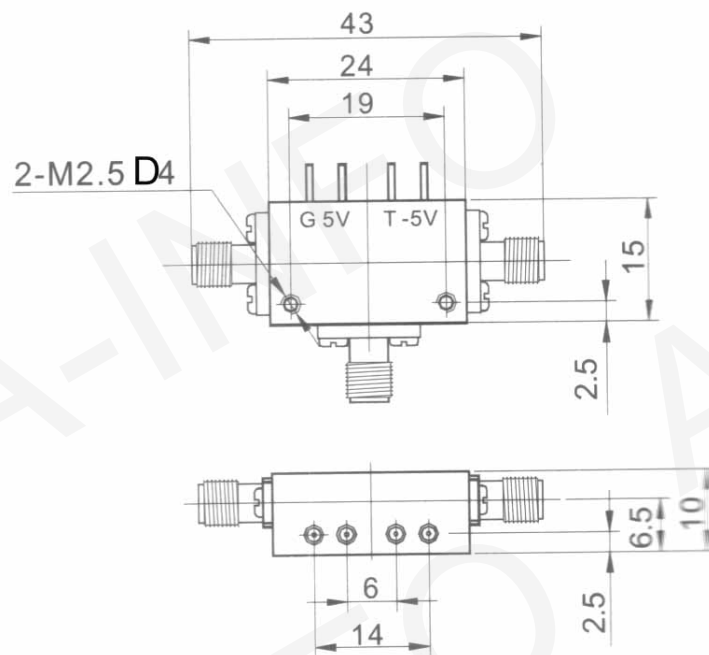
Test report is for reference only.

TEST REPORT
For
JXWBKG-T-1-2-18

Technical Specification

Frequency Range(GHz)	2-18
Insertion Loss(dB)	3.1
Isolation(dB)	80
VSWR	2.2
Switching Speed(ns)	50 max
Power Handling(W)	1 CW max
Operating Temperature(°C)	-55 ~ +85
Storage Temperature(°C)	-65 ~ +125

Outline Drawing (Size: mm)

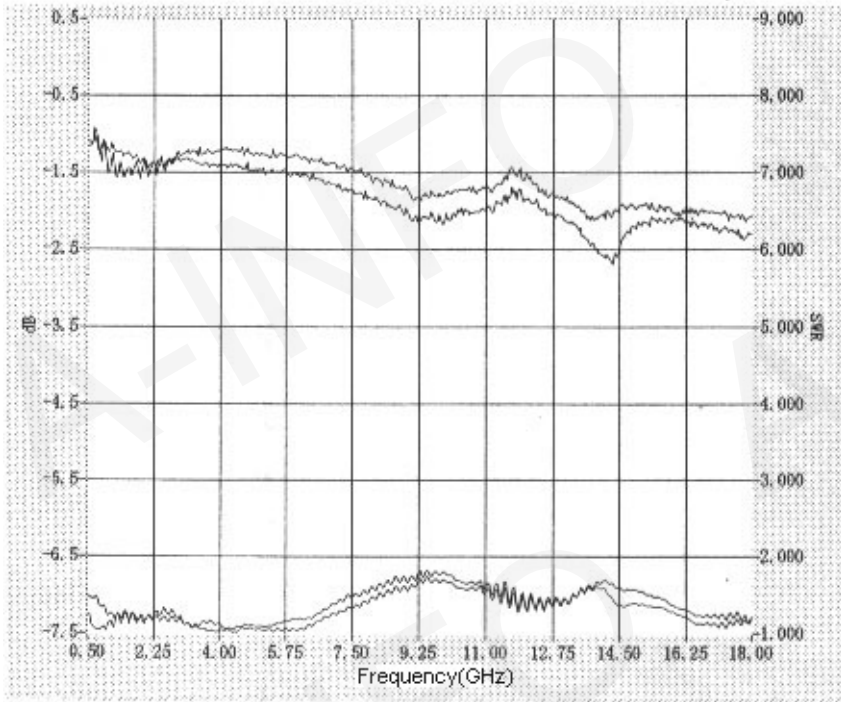


Test Instruments

- CC142
- E8362A

Test Results

1. Insertion Loss



2. Isolation

