



Test report is for reference only.

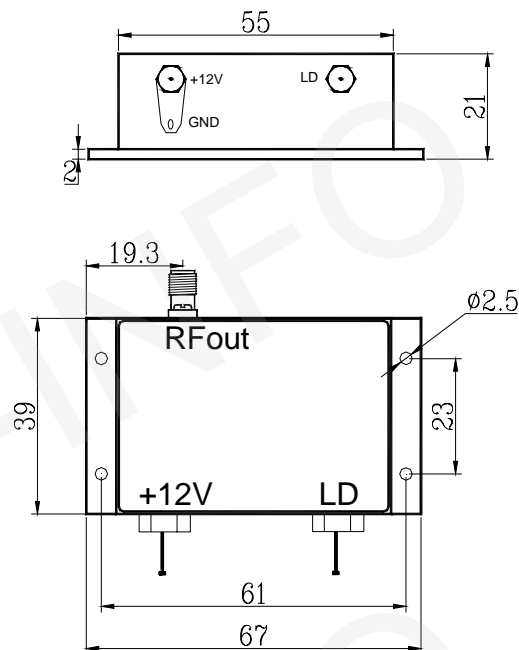
TEST REPORT
For
JXWBPLO-690



Technical Specification

Frequency(MHz)	690
Level(dBm)	+10
Phase Noise (dBc/Hz)	-100 @1KHz
Spurious(dBc)	-75
Frequency Stability(KHz)	±1(-20°C ~ +70°C)
Power Supply(V)	+12/160
Connector	SMA-Female
Operating Temperature(°C)	-20 - +70
Net Weight(Kg)	0.1 Around

Outline Drawing (Size: mm)



Test Results

Temp.	Spec.	Frequency	Level	Phase Noise	Spurious	Harmonics	Frequency Stability	Power Supply
		(MHz)	(dBm)	(dBc/Hz)	(dBc)	(dBc)	(KHz)	(V/mA)
		690	+10	-100 @1KHz	-75	-	±1(-20°C- +70°C)	+12/160
+25 °C		690	+13.3	-103.5	-83	-36	+0.05	+12/60
-20 °C		690	+13.5	-104.3	-81	-34	+0.30	+12/60
+70 °C		690	+13.1	-103.3	-78	-40	-0.66	+12/60