



Test report is for reference only.

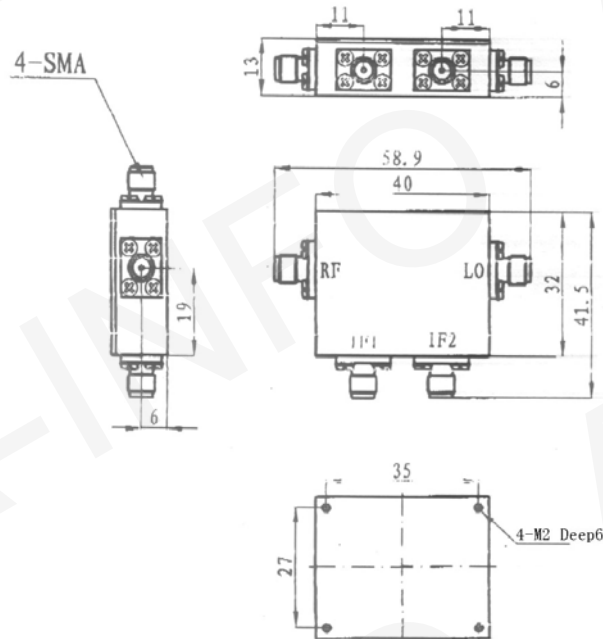
**TEST REPORT**  
**For**  
**JXWBJT-10-14**



### Technical Specification

Input RF and LO Frequency (GHz)	12±2
Output I and Q (MHz)	DC – 150/200
LO Power (dBm)	17 min
Insertion Loss (dB)	8 max
Rejection(dB)	30
Amplitude Balance(dB)	0.5 max
Phase Balance (°)	6 max
Connector	SMA-Male
Net Weight (Kg)	0.055

### Outline Drawing (Size: mm)



### Test Results

RF Freq. (GHz)	LO Freq. (GHz)	Output I and Q(MHz)	LO Power (dBm)	Insertion Loss (dB)	Rejection (dB)	Amplitude Balance (dB)	Phase Balance (°)
10-14	10-14	DC-200	±17	8	31	0.5	6