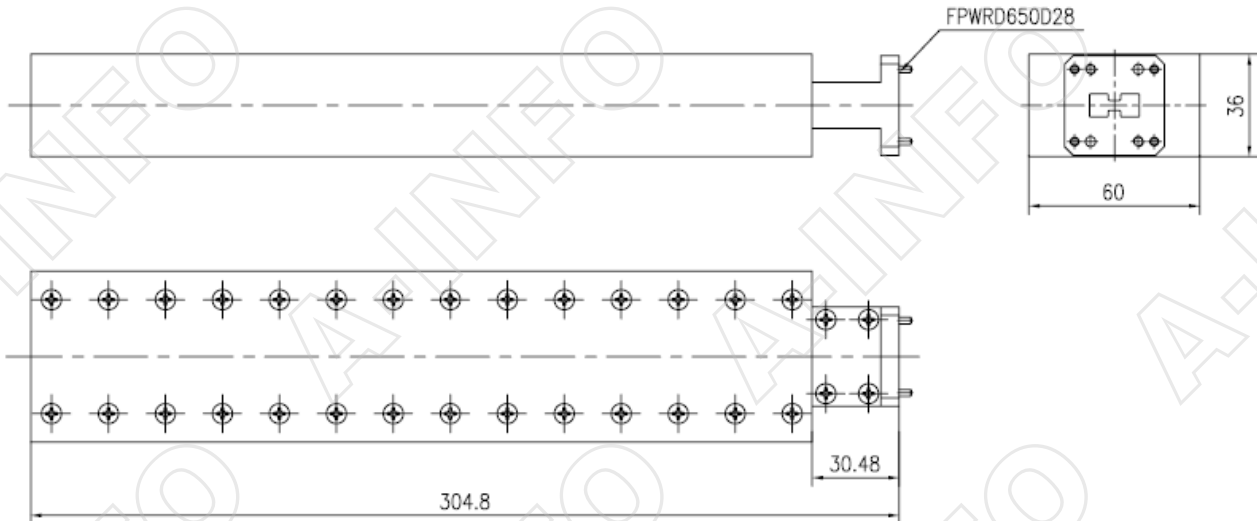


## Technical Specification



EIA WRD	WRD650
Frequency Range(GHz)	6.5-18.0
VSWR	1.25:1 Max.
Average Power(W)	250 CW
Flange	FPWRD650D28
Material	Al
Size(mm)	60 x 36 x 304.8
Net Weight(Kg)	1.6 Around

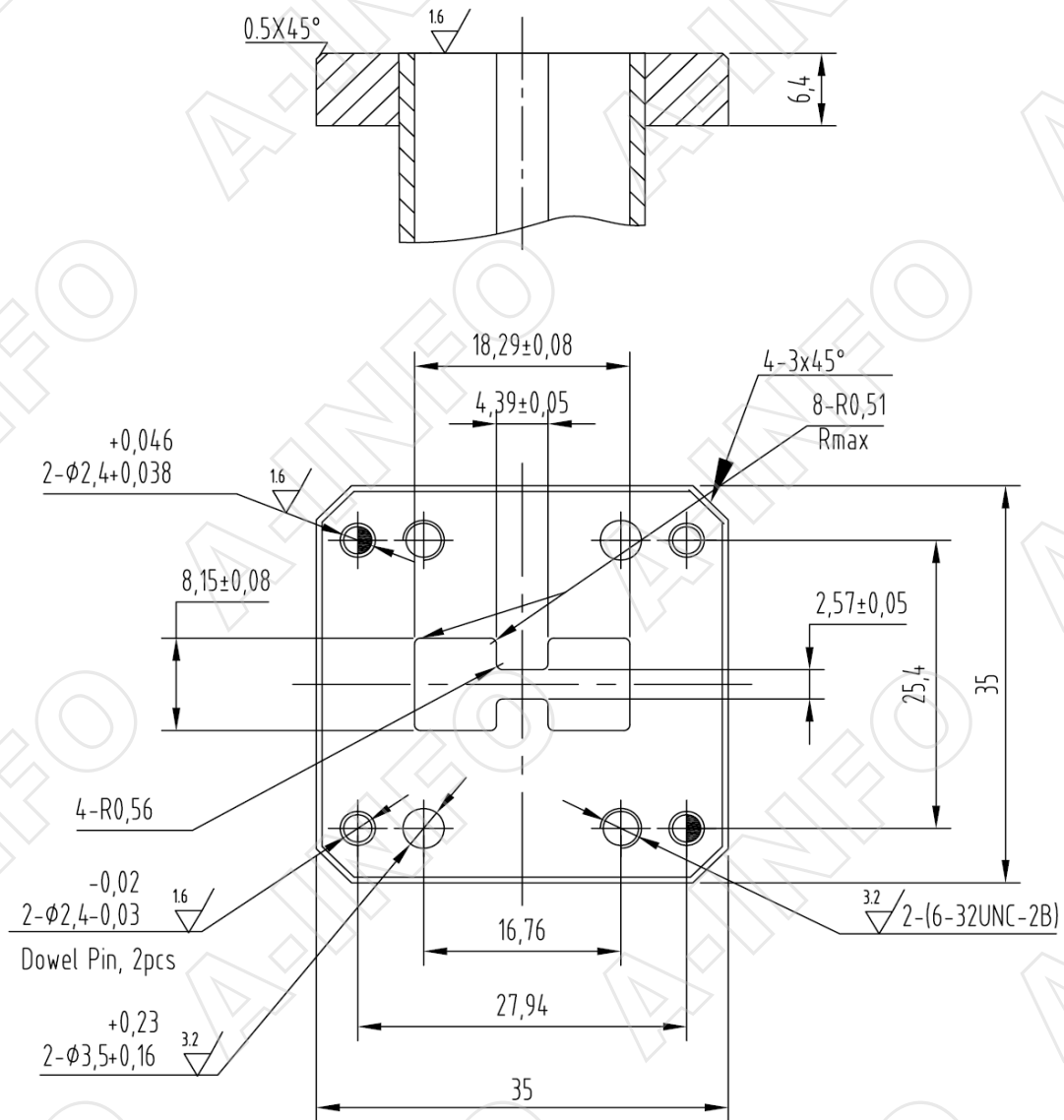
## Outline Drawing (Size: mm)



Flange Drawing (Size: mm)

## FPWRD650D28

(With two through mounting holes  
and two screws holes)



## Test Results

### VSWR

