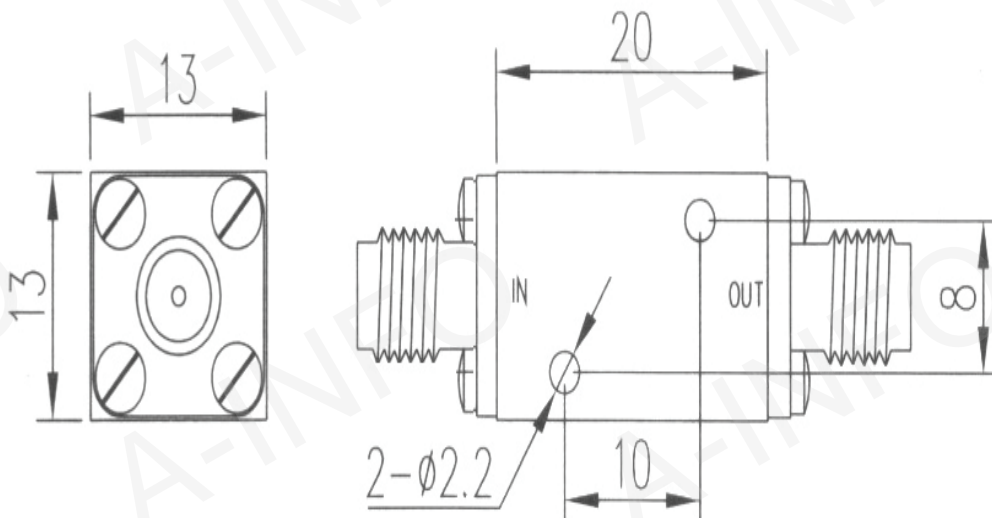


Outline Drawing (Size: mm)



Test Result Table

Item	Technical Specification	Test Results
Frequency Range(GHz)	8-12	8-12
Insertion Loss(dB)	1.8 max	1.46 max
VSWR	1.4 max	1.14 max
Maximum Output Power(dBm)	+10 max	+10 max
Peak Power(W)	100 max	100 max
Average Power(W)	2 max	2 max
Input/Output Impedance(Ohms)	50	50
Input Connector	SMA-Female	SMA-Female
Output Connector	SMA-Male	SMA-Male
Net Weight(Kg)	-	0.03 Around