

Test report is for reference only.

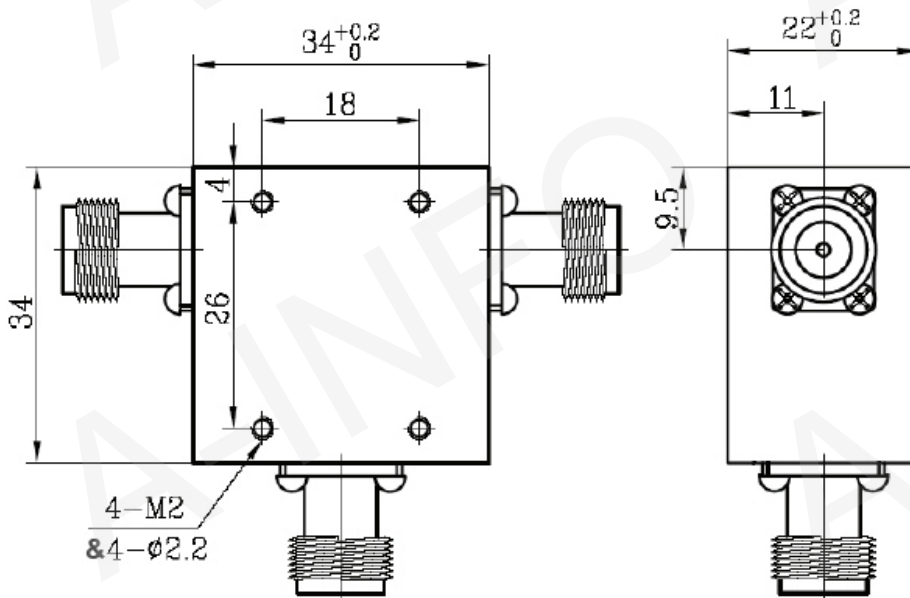
TEST REPORT
For
JXWBHX-T-950-1225-18-100



Technical Specification

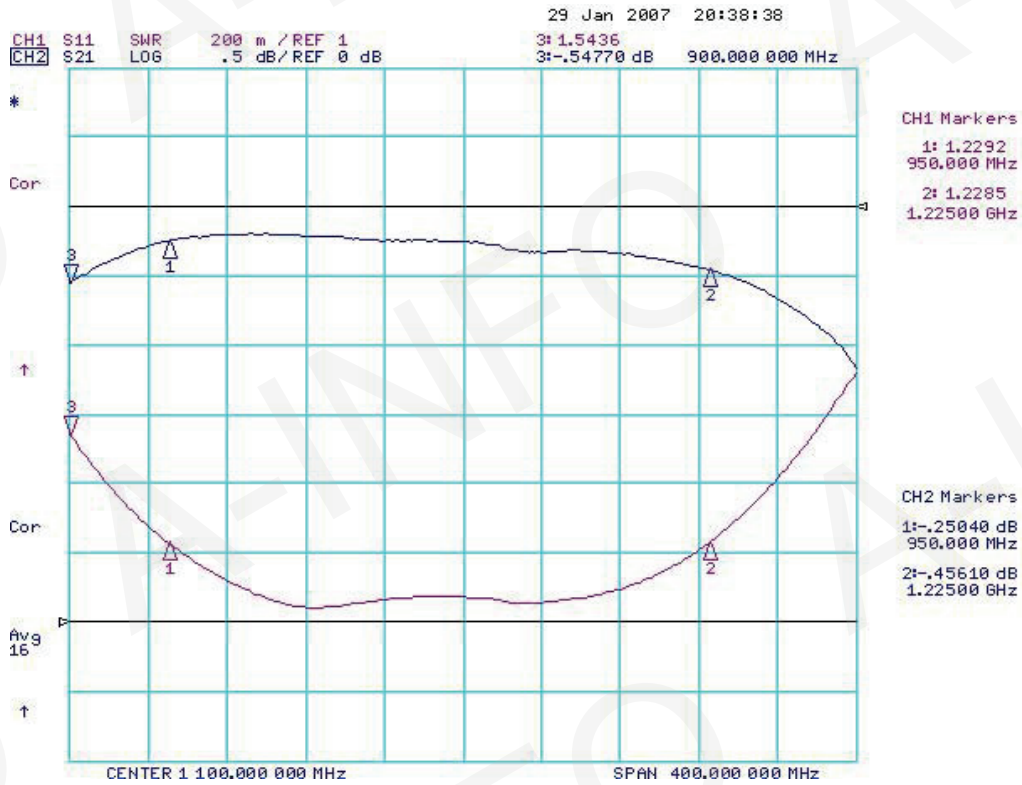
Frequency Range(MHz)	950-1225
Insertion Loss(dB)	0.5 max
Isolation(dB)	18 min
Average Power(W)	100
Peak Power(W)	500
VSWR	1.3 max
Directional	Clockwise
Connector	N-Female
Operating Temperature(°C)	-20 ~ +85

Outline Drawing (Size: mm)

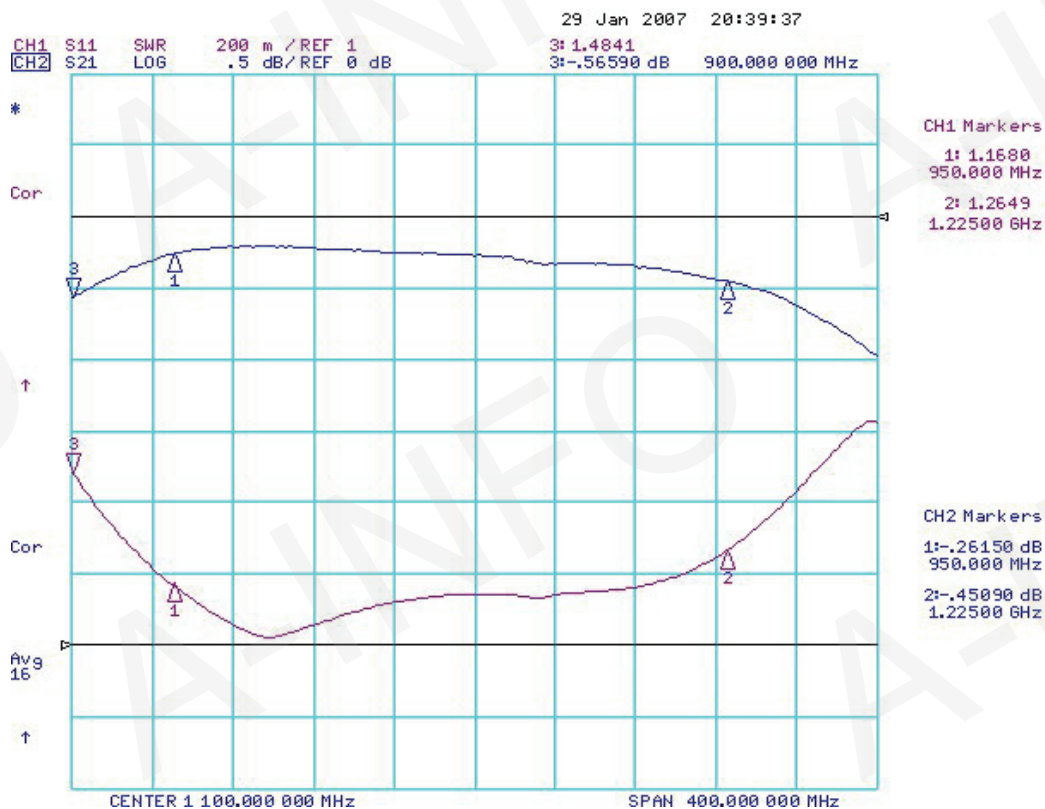


Test Results

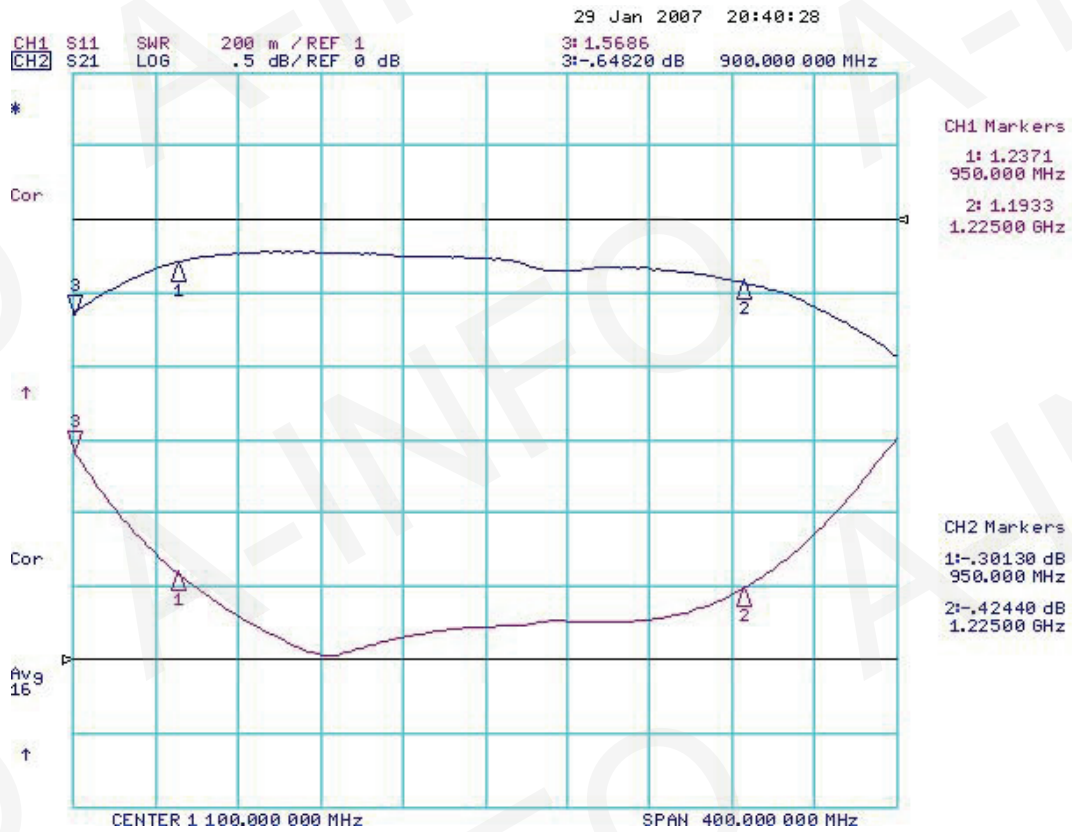
1. VSWR & Insertion Loss(Port 1~Port 2)



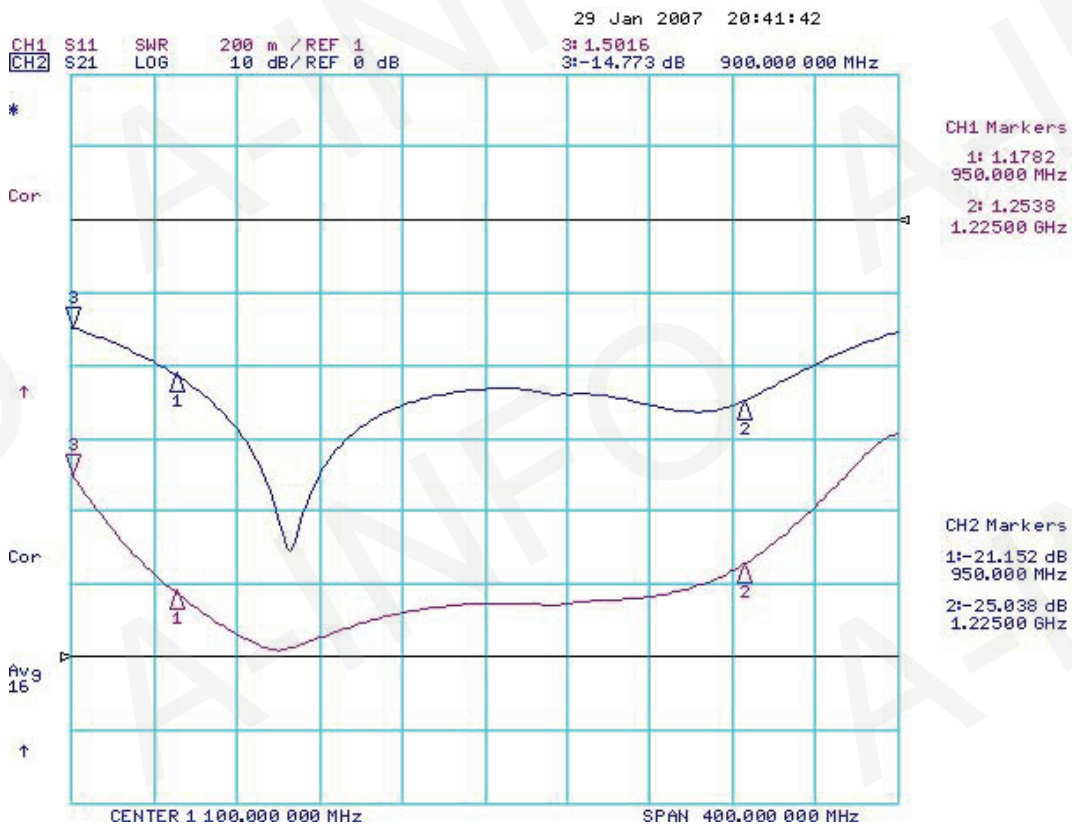
2. VSWR & Insertion Loss(Port 2~Port 3)



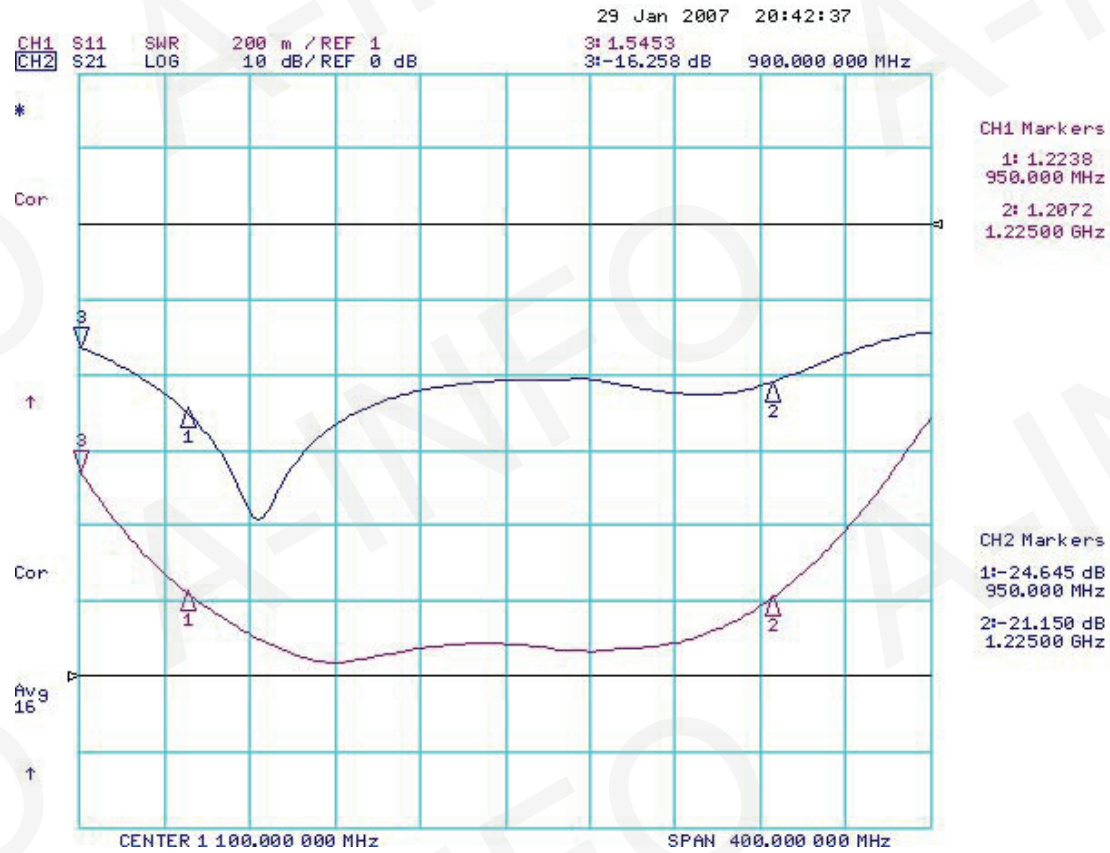
3. VSWR & Insertion Loss(Port 3~ Port 1)



4. VSWR & Isolation(Port 2~Port 1)



5. VSWR & Isolation (Port 1~Port 3)



6. VSWR & Isolation (Port 3~Port 2)



950MHz									
Port	Room Temperature			Low Temperature(-20°C)			High Temperature(85°C)		
	Insertion Loss (dB)	VSWR	Isolation (dB)	Insertion Loss (dB)	VSWR	Isolation (dB)	Insertion Loss (dB)	VSWR	Isolation (dB)
1	0.31	1.18	25.20	0.28	1.13	25.50	0.18	1.09	25.30
2	0.36	1.25	23.40	0.25	1.22	27.30	0.20	1.20	27.50
3	0.26	1.21	20.30	0.23	1.08	22.00	0.20	1.13	21.60

1225MHz									
Port	Room Temperature			Low Temperature(-20°C)			High Temperature(85°C)		
	Insertion Loss (dB)	VSWR	Isolation (dB)	Insertion Loss (dB)	VSWR	Isolation (dB)	Insertion Loss (dB)	VSWR	Isolation (dB)
1	0.39	1.14	25.20	0.32	1.16	25.70	0.35	1.17	24.60
2	0.40	1.07	25.30	0.38	1.05	22.80	0.32	1.03	23.40
3	0.40	1.12	24.80	0.45	1.14	26.20	0.45	1.14	29.00