

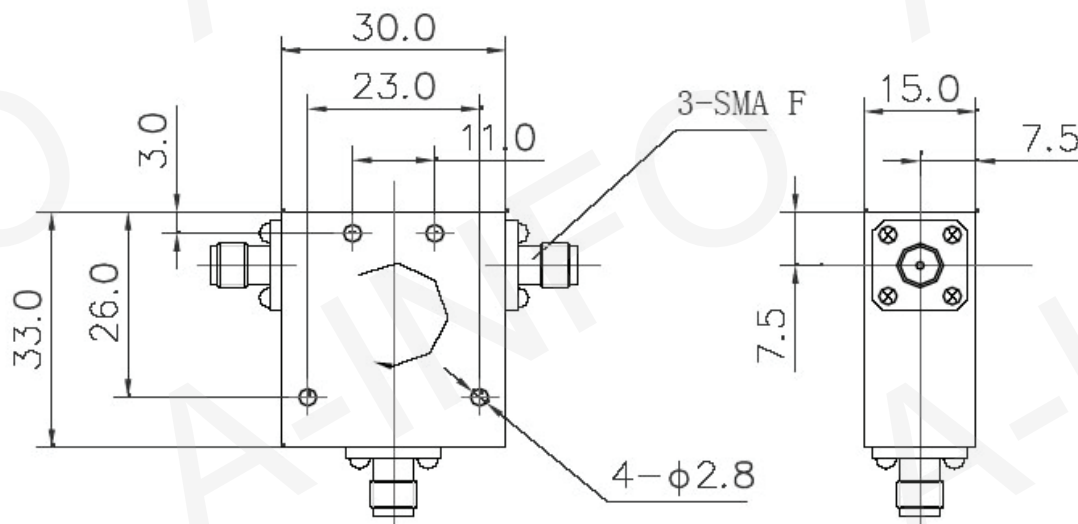
Test report is for reference only.

TEST REPORT
For
JXWBHX-T-915-23-100

Technical Specification

Frequency(MHz)	915
Isolation(dB)	23 min
Insertion Loss(dB)	0.3 max
Power(W)	100
VSWR	1.2 max
Connector	SMA-Female
Operating Temperature(°C)	-30 ~ +85
Storage Temperature(°C)	-60 ~ +125

Outline Drawing (Size: mm)



Test Results

Insertion Loss(dB)	Port 1-2	Port 2-3	Port 3-1
	0.17	0.18	0.18
Isolation(dB)	Port 2-1	Port 3-2	Port 1-3
	36.0	33.8	36.0
VSWR	Port1	Port 2	Port 3
	1.10	1.08	1.08