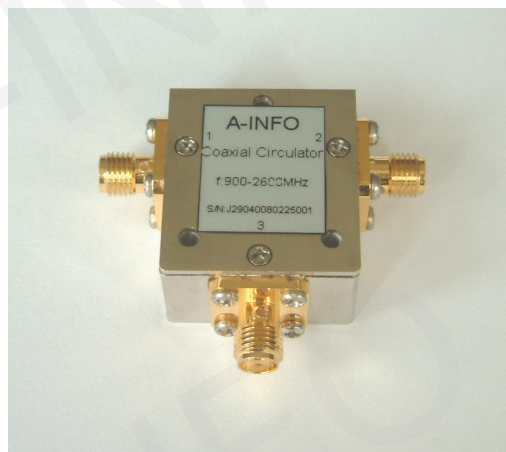


Test report is for reference only.

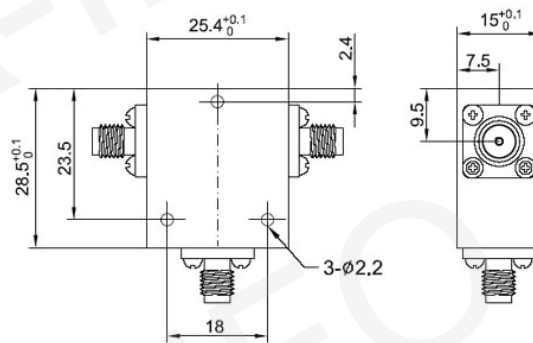
TEST REPORT
For
JXWBHX-T-900-2600-25-15



Technical Specification

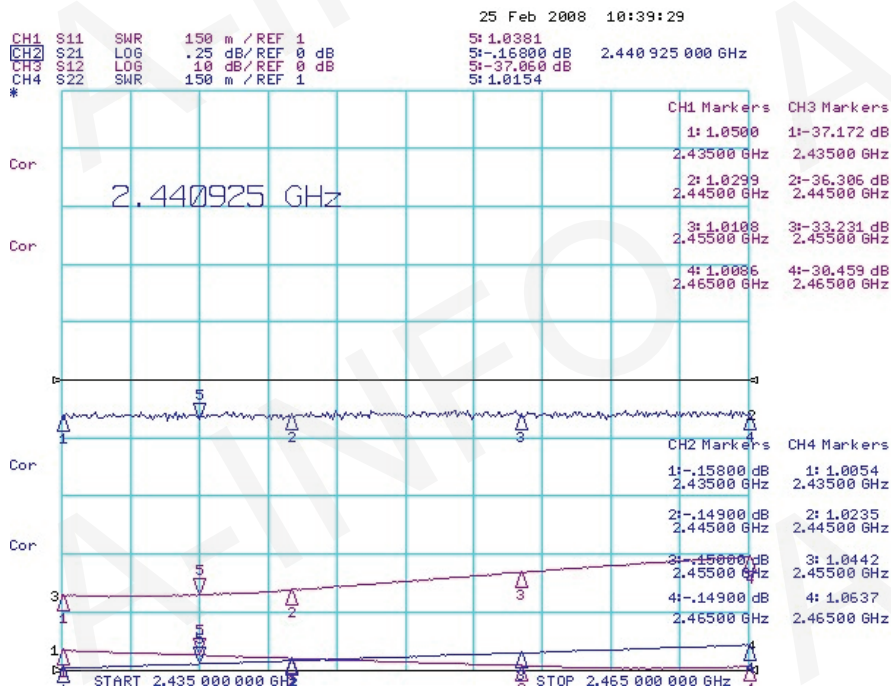
Frequency Range(MHz)	2435-2465
Band Width(MHz)	30
Insertion Loss(dB)	0.25 max
VSWR	1.15 max
Isolation(dB)	25 min
Forward Power(W)	10/15 CW
Reverse Power(W)	10 CW
Connector	SMA-Female
Size(mm)	25.4 x 28.5 x 15
Net Weight(Kg)	0.055 Around

Outline Drawing (Size: mm)

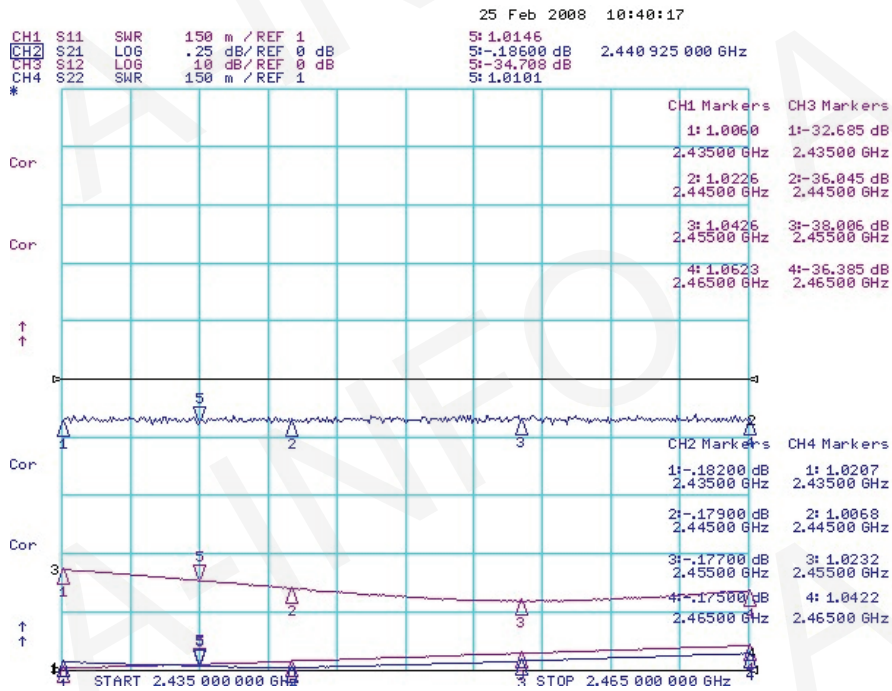


Test Results

Port1->2



Port2->3



Port3->1

