

Test report is for reference only.

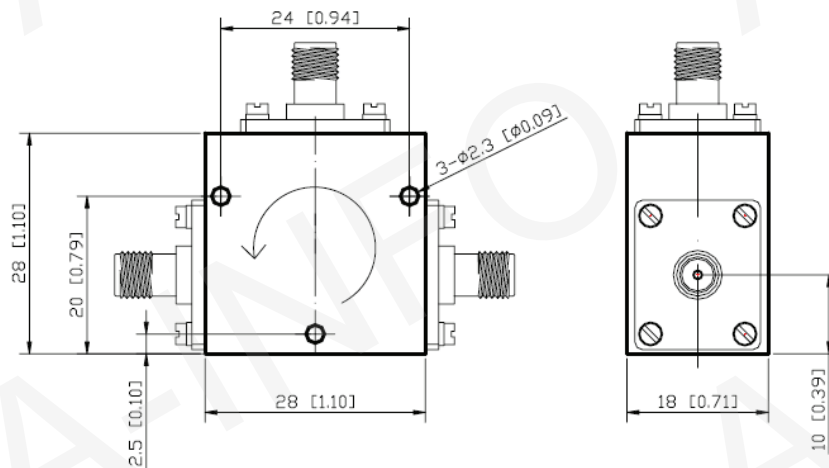
TEST REPORT
For
JXWBHX-T-820-880-20-50



Technical Specification

Frequency Range(MHz)	820~880
Isolation(dB)	20 min
Insertion Loss(dB)	0.4 max
Power(W)	50
VSWR	1.25:1 max
Connector	SMA-Female
Net Weight(Kg)	0.075 Around

Outline Drawing (Size: mm)



Test Results

Frequency(MHz)	Insertion Loss (dB) 0.4 max	VSWR 1.25 max	Isolation (dB) 20 min
820-880	0.28	1.15	27.6