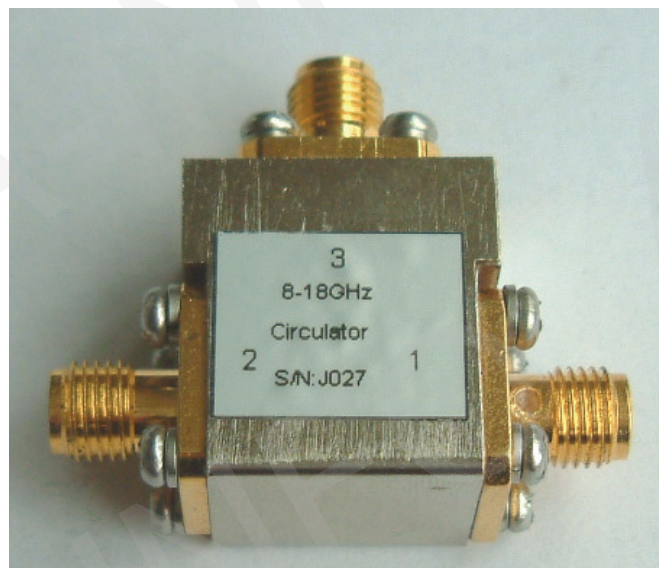


Test report is for reference only.

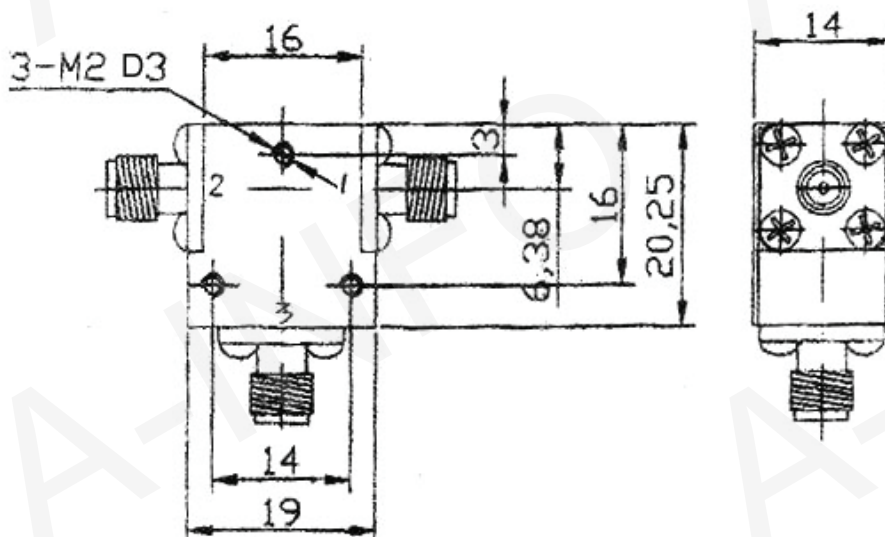
TEST REPORT
For
JXWBHX-T-8000-18000-15-5



Technical Specification

Frequency Range(GHz)	8 – 18
Isolation(dB)	15 min
Insertion Loss(dB)	1 max
VSWR	1.5 max
Input Power(W)	5
Operating Temperature(°C)	-10 - +65
Connectors	SMA-Female
Net Weight(kg)	0.045 Around

Outline Drawing (Size: mm)



Test Results

Frequency(GHz)	Isolation (dB)	VSWR	Insertion Loss(dB)
8.0-18.0	15	1.50	0.60