

Test report is for reference only.

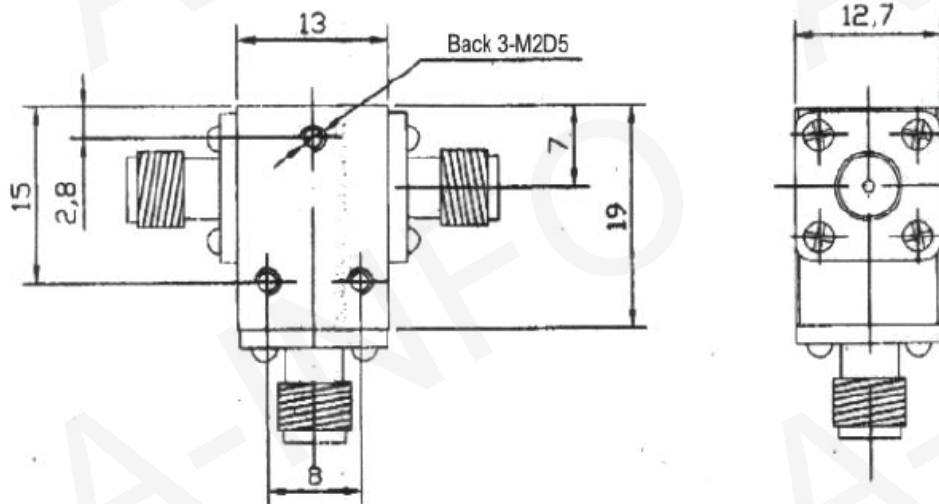
TEST REPORT
For
JXWBHX-T-8000-12000-17-20



Technical Specification

| | |
|---------------------------|-------------|
| Frequency Range(GHz) | 8.0-12.0 |
| Bandwidth | Full |
| Insertion Loss(dB) | 0.55 max |
| Isolation(dB) | 17 min |
| VSWR | 1.35 max |
| Forward Power(W) | 20 CW |
| Reverse Power(W) | 5 CW |
| Connector | SMA-Female |
| Operating Temperature(°C) | -40~+85 |
| Net Weight(Kg) | 0.04 Around |

Outline Drawing (Size: mm)



Test Results

| Frequency Range(GHz) | Insertion Loss(dB) | Isolation(dB) | VSWR-1 | VSWR-2 | VSWR-3 |
|----------------------|--------------------|---------------|--------|--------|--------|
| 8.0-12.0 | 0.36 | 20 | 1.18 | 1.20 | 1.20 |