

Test report is for reference only.

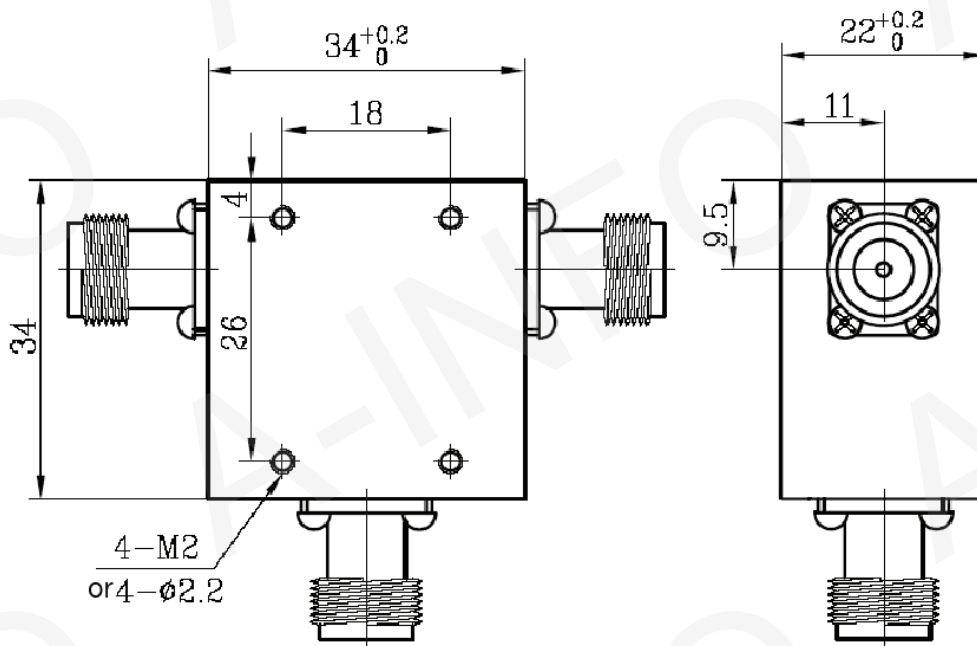
TEST REPORT
For
JXWBHX-T-800-1000-20-50



Technical Specification

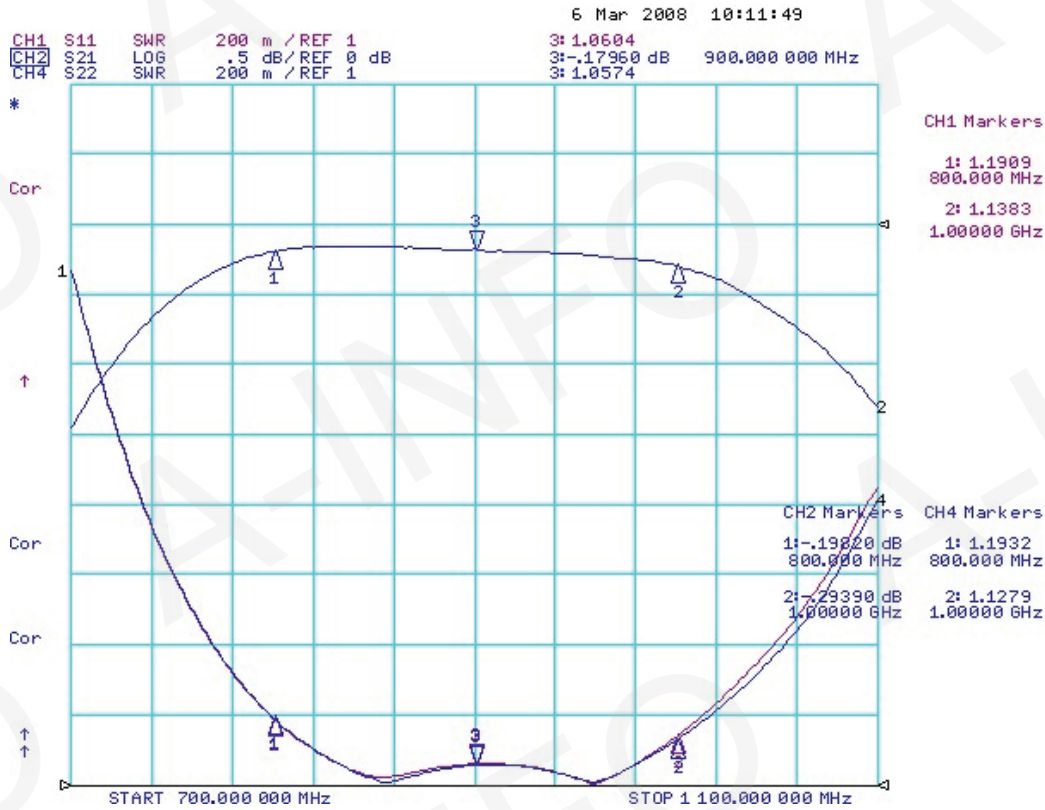
Frequency Range(MHz)	800-1000
Insertion Loss(dB)	0.5 max
VSWR	1.20 max
Isolation(dB)	20 min
Input Power(W)	50 CW
Temperature Range(°C)	-20~+70
Direction	Clockwise
Connector	N-Female
Net Weight(Kg)	0.16 Around

Outline Drawing (Size: mm)



Test Results

Insertion Loss & VSWR



Isolation & VSWR

