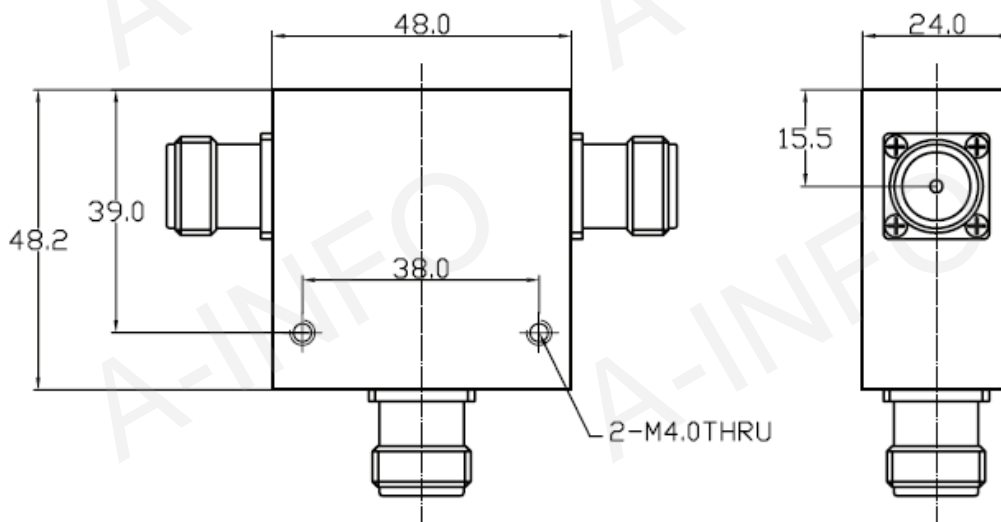


Outline Drawing (Size: mm)



Test Results Table

Item	Technical Specification	Test Results
Frequency Range(MHz)	670-860	670-860
Insertion Loss(dB)	0.3 max	0.23 max
Isolation(dB)	20 min	23.7 min
Forward Power (W)	250 CW	250 CW
VSWR	1.25 max	1.15 max
Connectors	N-Female	N-Female
Operating Temperature(°C)	0 ~ +50	0 ~ +50