

Test report is for reference only.

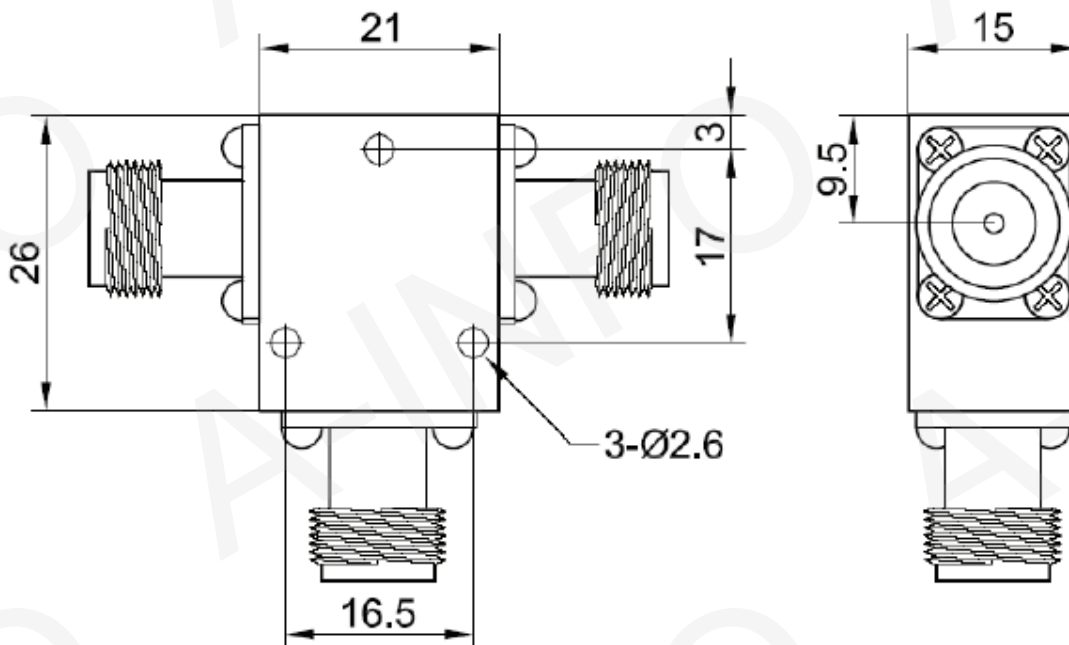
TEST REPORT
For
JXWBHX-T-3300-3800-20-50



Technical Specification

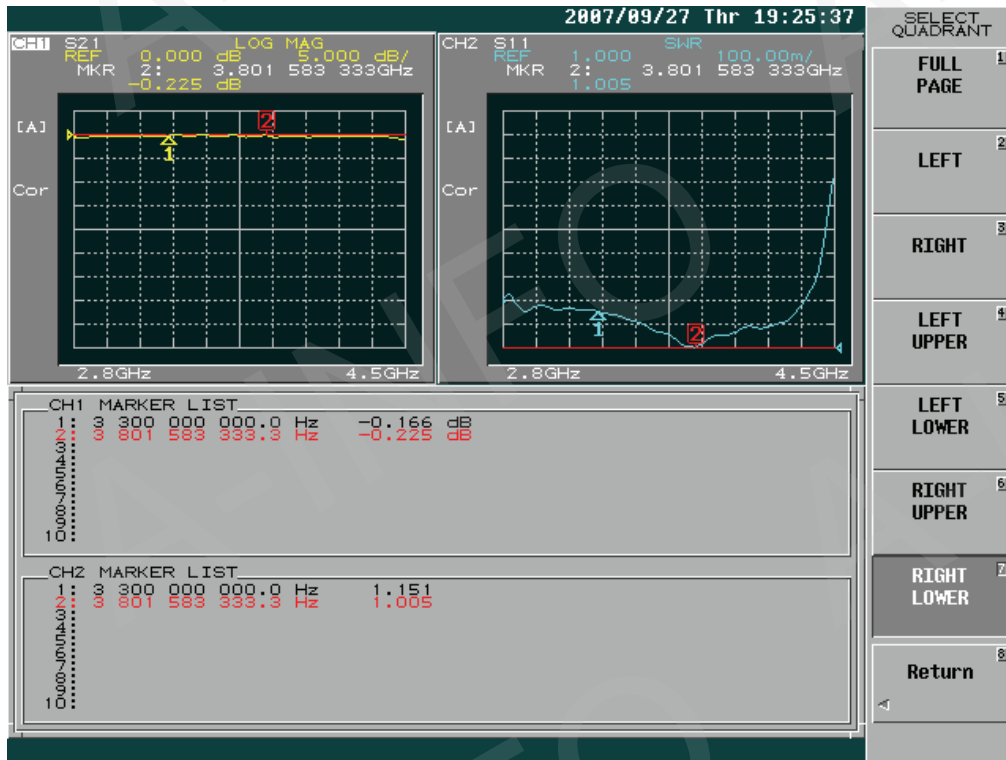
Frequency Range(GHz)	3.3-3.8
Isolation(dB)	20 min
Insertion Loss(dB)	0.5max
Input Power(W)	50 CW
VSWR	1.20 max
Connector	N-Female
Operating Temperature(°C)	-40 ~ +70
Size(mm)	21x26x15
Net Weight(Kg)	0.075Around

Outline Drawing (Size: mm)



Test Results

Insertion Loss & VSWR



Isolation & VSWR

