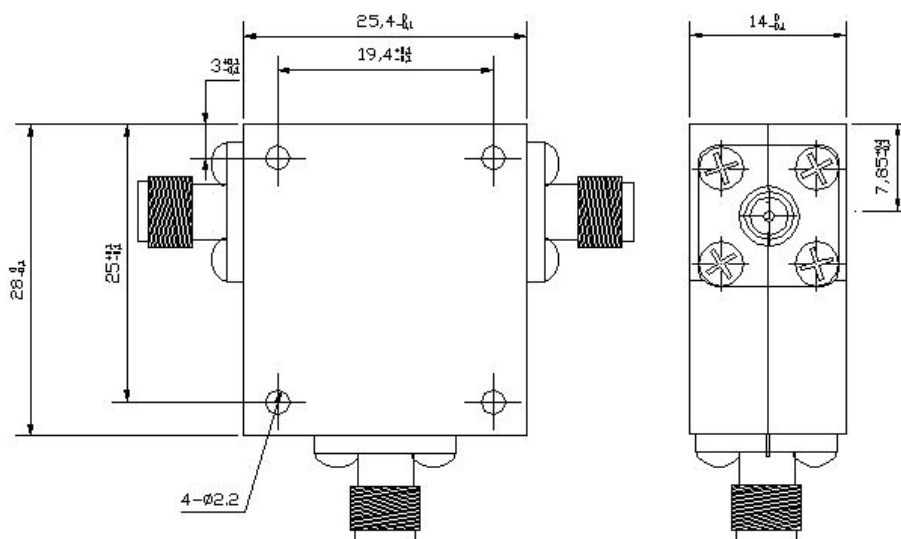


Outline Drawing (Size: mm)



Test Results Table

Item	Technical Specification	Test Results
Frequency Range(MHz)	3000-6000	3000-6000
Insertion Loss(dB)	0.6 max	0.51 max
Isolation(dB)	18 min	18.8 min
Forward Power (W)	100 CW	100 CW
VSWR	1.35 max	1.31 max
Connectors	SMA-Female	SMA-Female
Operating Temperature(°C)	-30 ~ +60	-30 ~ +60
Storage Temperature(°C)	-55 ~ +85	-55 ~ +85