



Test report is for reference only.

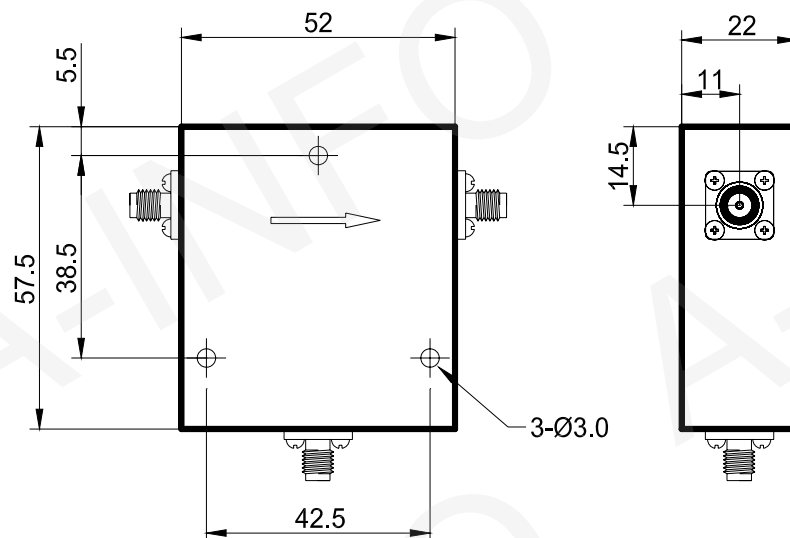
TEST REPORT
For
JXWBHX-T-280-330-23-10



Technical Specification

Freq. Range(GHz)	0.28-0.33
Bandwidth	Full
Insertion Loss(dB)	0.4 max
Isolation(dB)	20 min
VSWR	1.2
Power(W)	10
Connector	SMA-Female
Operating Temp. (°C)	-20~ +70
Net Weight (Kg)	0.31 Around

Outline Drawing (Size: mm)



Test Results

Insertion Loss(dB)			Isolation(dB)			VSWR			High Temperature (°C)			Low Temperature (°C)		
1-2	2-3	3-1	2-1	3-2	1-3	S1	S2	S3	a+	a-	S	a+	a-	S
0.33	0.32	0.32	22	23.4	22.7	1.13	1.14	1.40	0.29	20.4	1.18	0.27	20.7	1.17