



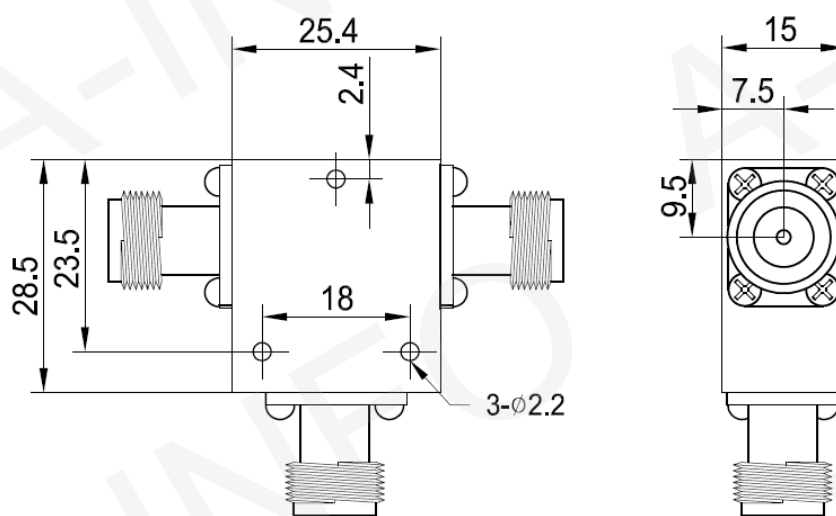
Test report is for reference only.

**TEST REPORT**  
**For**  
**JXWBHX-T-2300-2600**

### Technical Specification

Freq. Range(GHz)	2.3~2.6
Insertion Loss(dB)	0.5 max
Isolation(dB)	20 min
Input Power(W)	50 CW
VSWR	1.20 max
Connector	N-Female
Operating Temp. (°C)	-40 ~ +70
Net Weight(Kg)	0.095 Around

### Outline Drawing (Size: mm)



### Test Results

Insertion Loss(dB)			Isolation (dB)			VSWR		
1-2	2-3	3-1	2-1	3-2	1-3	S1	S2	S3
0.27	0.22	0.28	21.2	22.4	21.2	1.16	1.16	1.18