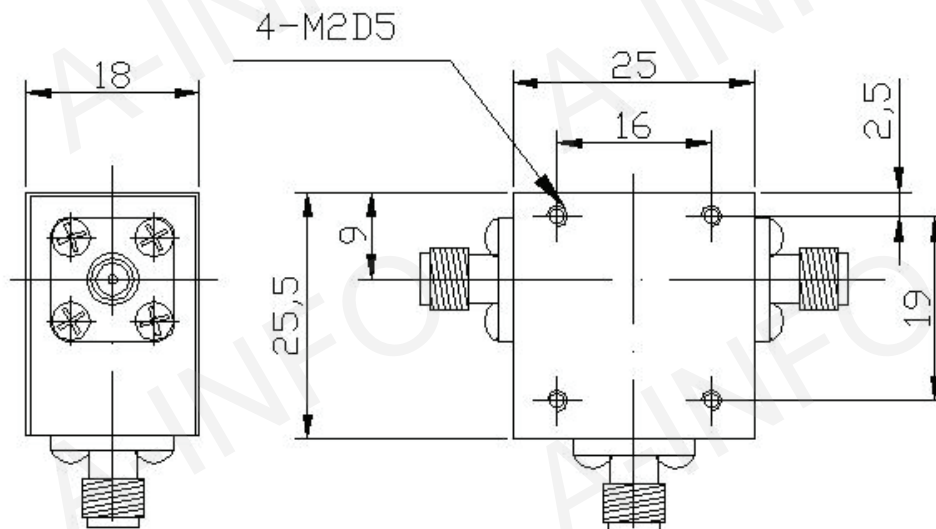


Outline Drawing (Size: mm)



Test Results Table

Item	Technical Specification	Test Results
Frequency Range(MHz)	2200-3000	2200-3000
Bandwidth	Full	Full
Insertion Loss(dB)	0.5 max	0.29 max
Isolation(dB)	20 min	20 min
Forward Power(W)	150	150
Reverse Power(W)	60	60
VSWR	1.25 max	1.22 max
Connectors	SMA-Female	SMA-Female
Operating Temperature(°C)	-40 ~ +70	-40 ~ +70