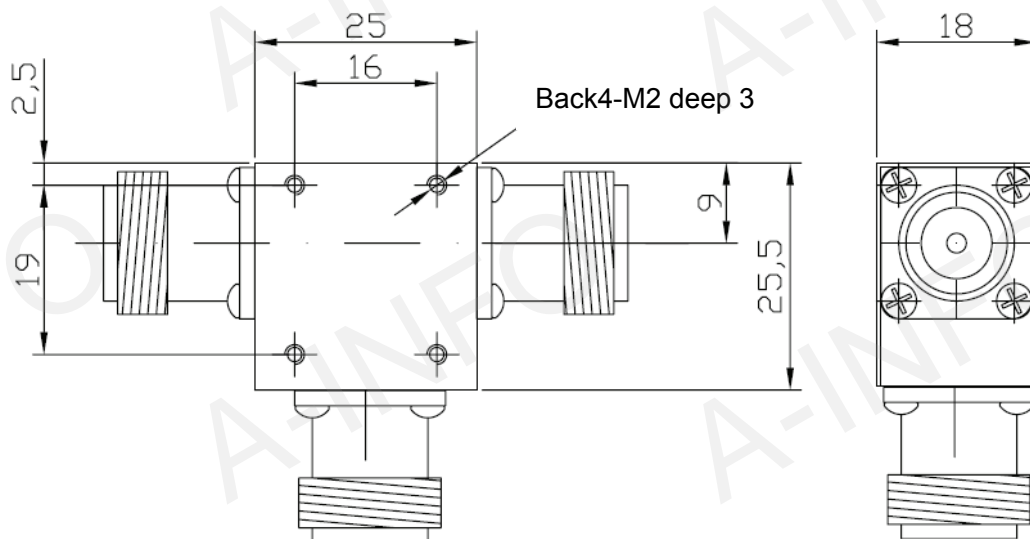


Outline Drawing (Size: mm)



Test Result Table

Item	Technical Specification	Test Results
Frequency Range(MHz)	2200-2800	2200-2800
Insertion Loss(dB)	0.5 max	0.35 max
VSWR	1.25 max	1.18 max
Isolation(dB)	20 min	21 min
Power Handling(W)	10	10
Operating Temperature(°C)	-40 ~ +70	-40 ~ +70
Connector	N-Female	N-Female