



Test report is for reference only.

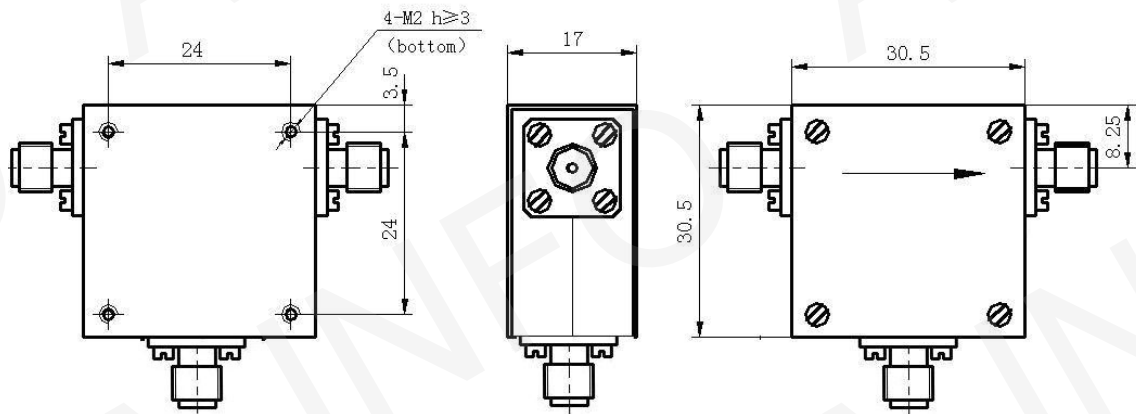
**TEST REPORT**  
**For**  
**JXWBHX-T-2000-4000-17-250**



## Technical Specification

Frequency Range(GHz)	2-4
Isolation (dB)	17 min
Insertion Loss(dB)	0.5 max
VSWR	1.35 max
Power Handling(W)	250
Impedance(ohms)	50
Input / Output Connectors	N-Female
Operating Temperature(°C)	0 ~ +50
Net Weight(Kg)	0.11 Around

## Outline Drawing (Size: mm)



## Test Results

Insertion Loss(dB)			Isolation(dB)			VSWR		
1-2	2-3	3-1	2-1	3-2	1-3	S1	S2	S3
0.36	0.41	0.38	17.35	17.75	18.81	1.29	1.30	1.32