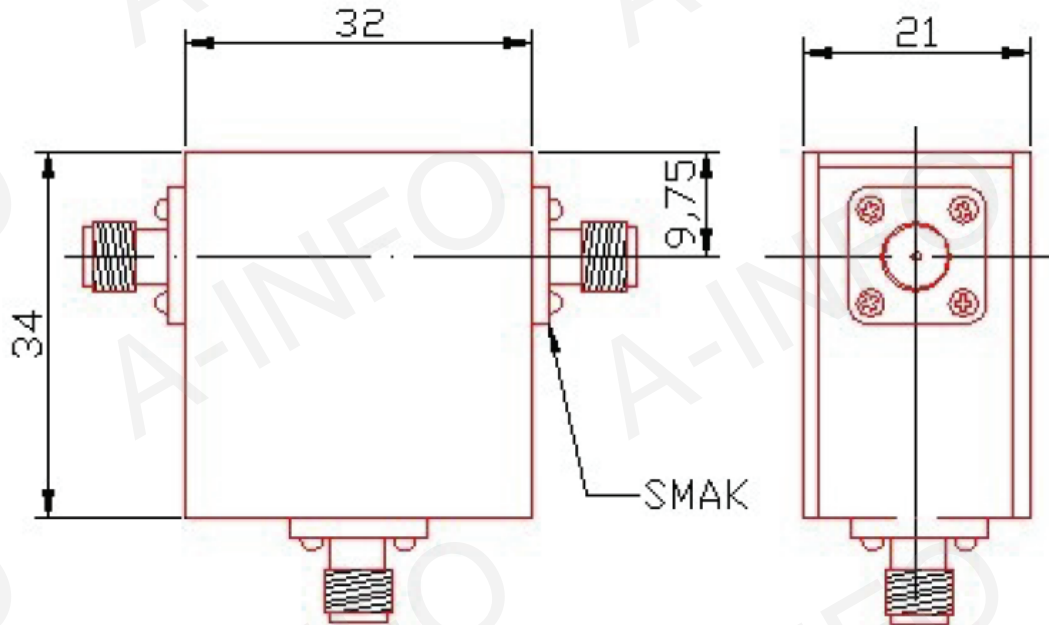


## Outline Drawing (Size: mm)



## Technical Specification

Frequency Range(GHz)	2 – 4
Isolation(dB)	17 min
Insertion Loss(dB)	0.55 max
VSWR	1.35 max
Input Power(W)	10 CW
Operating Temperature( °C)	-10 - +65
Connectors	SMA-Female
Net Weight(kg)	0.090 Around

## Test Results

Insertion Loss (dB)			VSWR			Isolation		
1-2	2-3	3-1	S1	S2	S3	2-1	3-2	1-3
0.55	0.54	0.54	1.3	1.33	1.35	17	17.5	17.2