

Test report is for reference only.

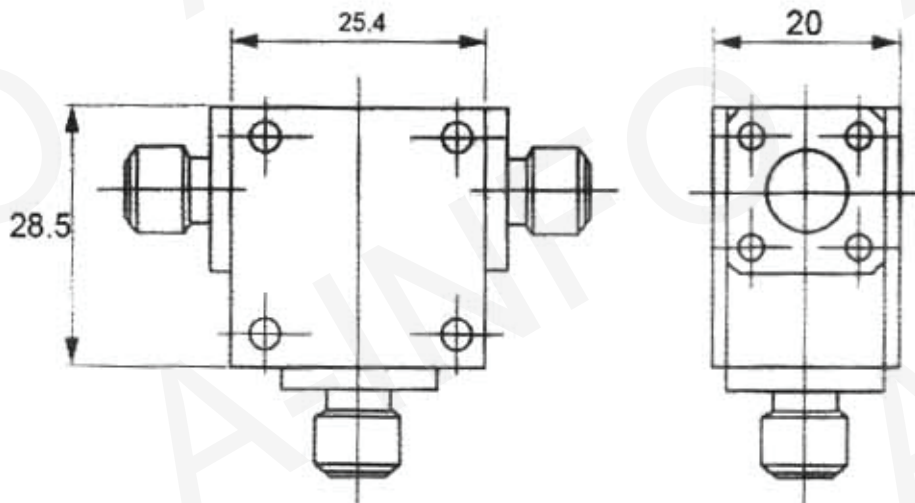
TEST REPORT
For
JXWBHX-T-1700-1900-20-50



Technical Specification

Frequency Range(MHz)	1700-1900
Isolation(dB)	20 min
Insertion Loss(dB)	0.4 max
Input Power(W)	50 CW
VSWR	1.25 max
Connector	N-Female
Operating Temperature(°C)	-30 ~ +70
Storage Temperature(°C)	-55 ~ +85
Size(mm)	25.4x28.5x20
Net Weight(Kg)	0.095 Around

Outline Drawing (Size: mm)



Test Results

Frequency Range(MHz)	Isolation(dB)	VSWR	Insertion Loss(dB)
1700-1900	22.00	1.17	0.30