



Test report is for reference only.

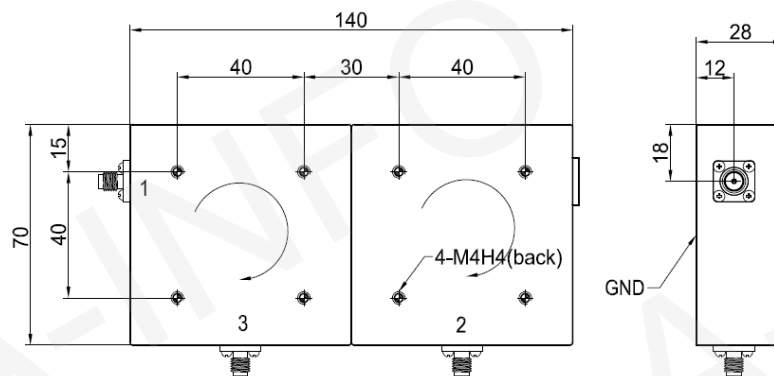
**TEST REPORT**  
**For**  
**JXWBHX-T-137-141-50-1**



## Technical Specification

|                             |  |
|-----------------------------|--|
| Freq. Range(MHz)            | 137 ~ 141  |
| Isolation (dB)              | (1-2)25 min    (1-3)25 min<br>(2-1)25 min    (3-2)50 min |
| Insertion Loss (dB)         | (3-1)0.5 max    (2-3)1 max                               |
| Return Loss in BW (V.S.W.R) | 1.25 max   |
| Power Handling (FWD/REV)(W) | 1 / 0.1  |
| Temp Range(°C)              | -30 ~ +75  |
| Connector                   | SMA-Female   |
| Net Weight(Kg)              | 0.5 Around   |

## Outline Drawing (Size: mm)



## Test Results

| 1-2            | 2-3                 | 3-1                 | 2-1            | 3-2                 | 1-3                 | VSWR1 | VSWR2 | VSWR3 |
|----------------|---------------------|---------------------|----------------|---------------------|---------------------|-------|-------|-------|
| Isolation (dB) | Insertion Loss (dB) | Insertion Loss (dB) | Isolation (dB) | Insertion Loss (dB) | Insertion Loss (dB) |       |       |       |
| 29.0           | 0.92                | 0.43                | 29.2           | 59.0                | 27.2                | 1.06  | 1.10  | 1.07  |