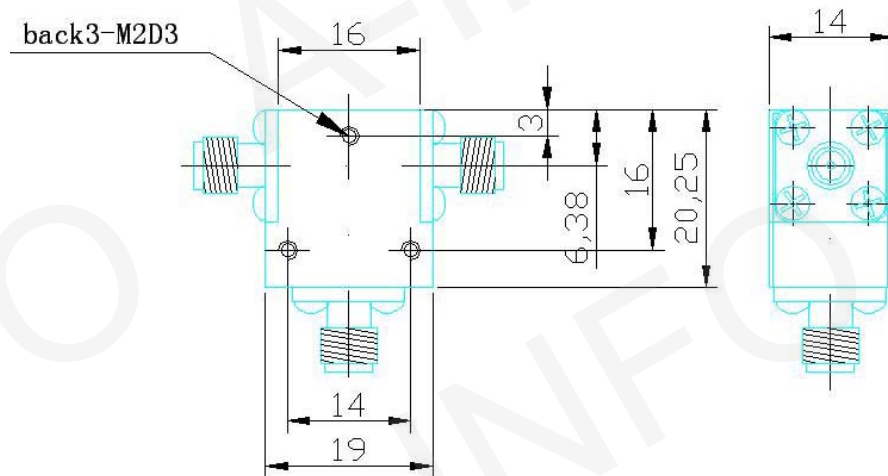


Outline Drawing(Size: mm)



Test Result Table

Item	Unit	Technical Specification	Test Result
Frequency Range	MHz	12000-18000	12000-18000
Insertion Loss	dB	0.6 max	0.57
Isolation	dB	18 min	20
VSWR		1.35 max	1.28
Forward Power	W	20	20
Reverse Power	W	5	5
Connector		SMA-Female	SMA-Female
Operating Temp.	°C	-40 ~ +70	-40 ~ +70
Net Weight	Kg	-	0.045 Around