

Test report is for reference only.

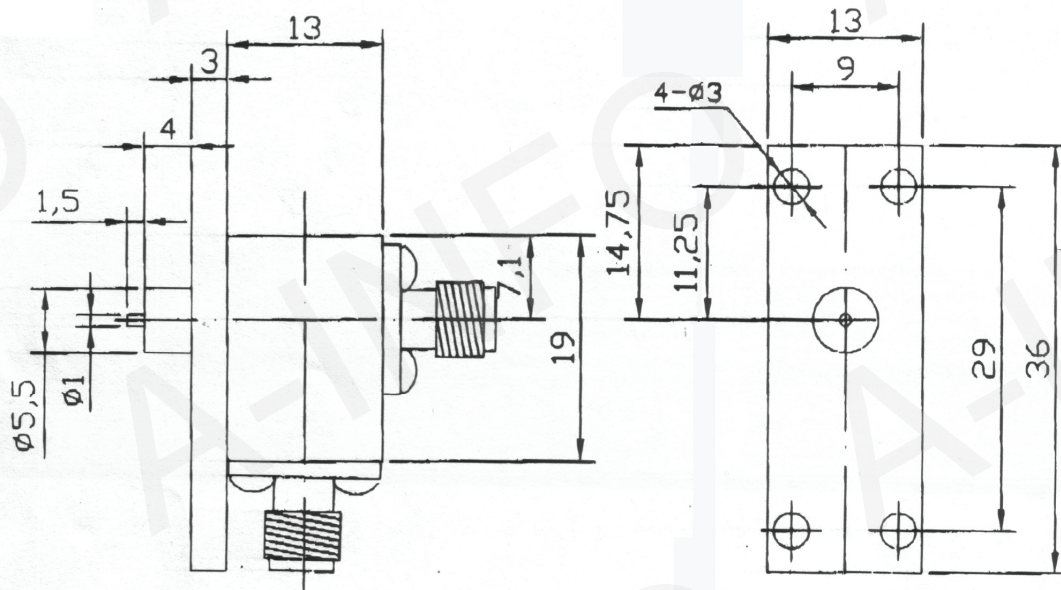
**TEST REPORT**  
For  
**JXWBHX-T-11700-12300-23-10**



## Technical Specification

Frequency Range(MHz)	11700~12300
Insertion Loss(dB)	0.3 max
Isolation(dB)	23 min
Impedance(Ohms)	50
VSWR	1.20 max
Forward Power(W)	10
Reverse Power(W)	5
Operating Temperature(°C)	-40 ~ +85
Net Weight(Kg)	0.03 Around

## Outline Drawing (Size: mm)



## Test Results

Frequency(GHz)	Insertion Loss(dB) 0.3 max	Isolation (dB) 23 min	VSWR 1.20 max		
			Port~1	Port~2	Port~3
11.7-12.3	0.25	25	1.10	1.15	1.10