



Test report is for reference only.

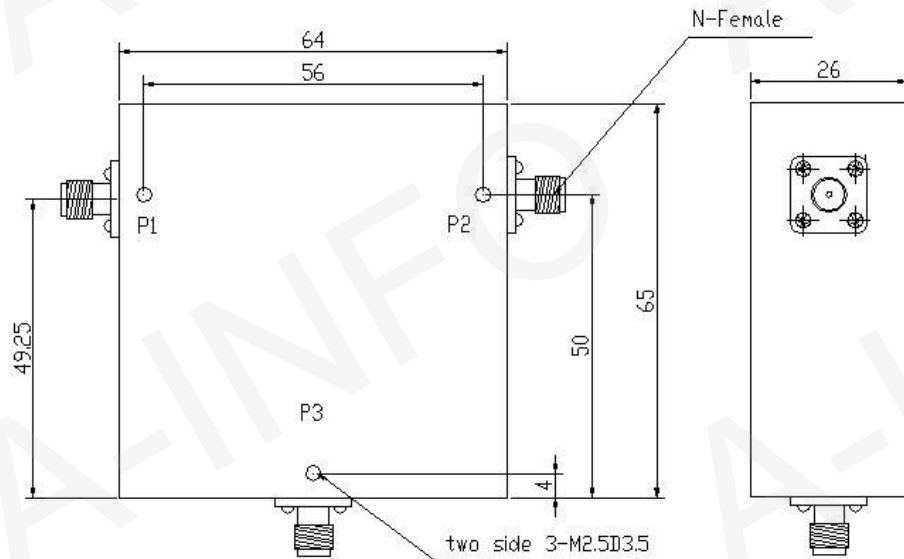
TEST REPORT
For
JXWBHX-T-1000-2000-16-250



Technical Specification

Frequency Range(MHz)	1000~2000
Insertion Loss(dB)	0.6 max
Isolation(dB)	16 min
VSWR	1.4 max
Forward Power(W)	250
Impedance(ohm)	50
Connectors	N-Female
Operating Temp. (°C)	+20~ +70
Net Weight(Kg)	0.44 Around

Outline Drawing (Size: mm)



Test Results

Insertion Loss(dB)			Isolation(dB)			VSWR		
1-2	2-3	3-1	2-1	3-2	1-3	S1	S2	S3
0.40	0.40	0.48	17.91	18.18	17.56	1.40	1.40	1.29