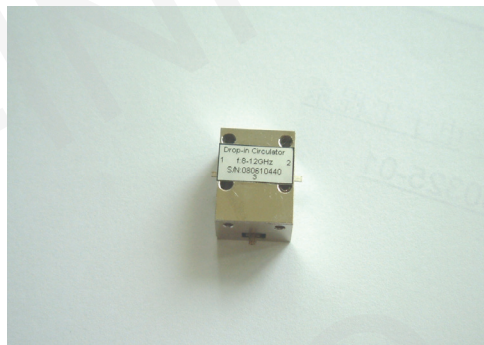


Test report is for reference only.

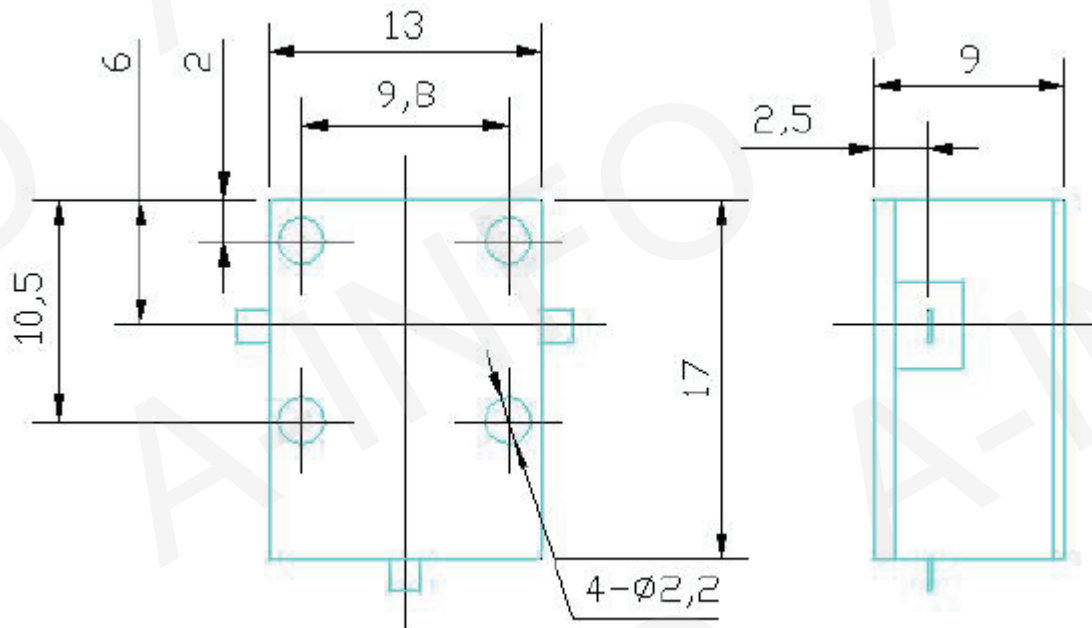
TEST REPORT
For
JXWBHX-D-8000-12000-16-20



Technical Specification

Frequency Range(GHz)	8.0-12.0
Insertion Loss(dB)	0.5 max
Isolation(dB)	16 min
VSWR	1.35 max
Forward Power(W)	20 CW
Reverse Power(W)	10 CW
Direction	Clockwise
Operating Temperature(°C)	-40 ~ +85
Net Weight(Kg)	0.01 Around

Outline Drawing (Size: mm)



Test Results

Insertion Loss (dB)	VSWR-1	VSWR-2	VSWR-3	Isolation (dB)
0.37	1.20	1.19	1.25	19