

Test report is for reference only.

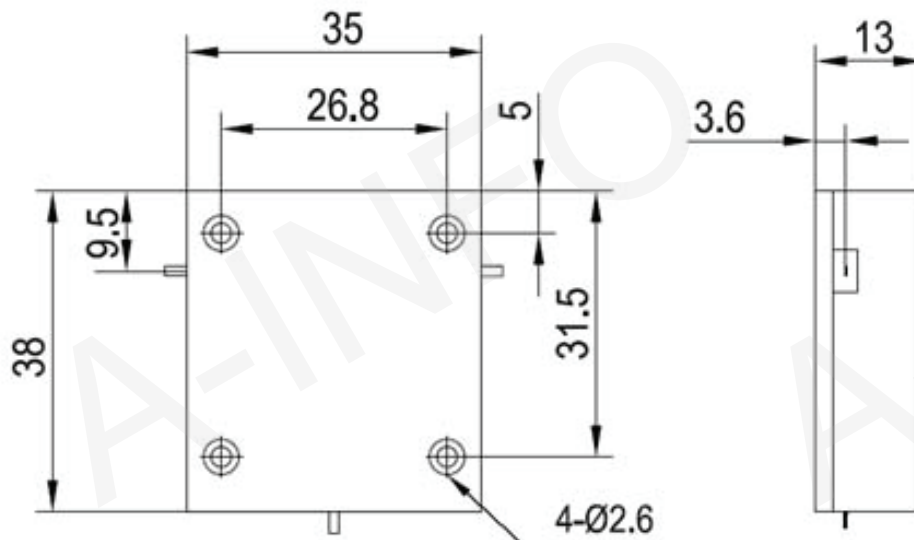
TEST REPORT
For
JXWBHX-D-470-480-25-400



Technical Specification

Frequency Range(MHz)	470-480
Insertion Loss(dB)	0.3 max
Isolation(dB)	25 min
Forward Power(W)	400 CW,600 peak
Reverse Power(W)	2-4 CW
VSWR	1.2 max
Package	Drop-in
Operating Temperature(°C)	-40~+70
Size(mm)	35x38x13
Net Weight(Kg)	0.095 Around

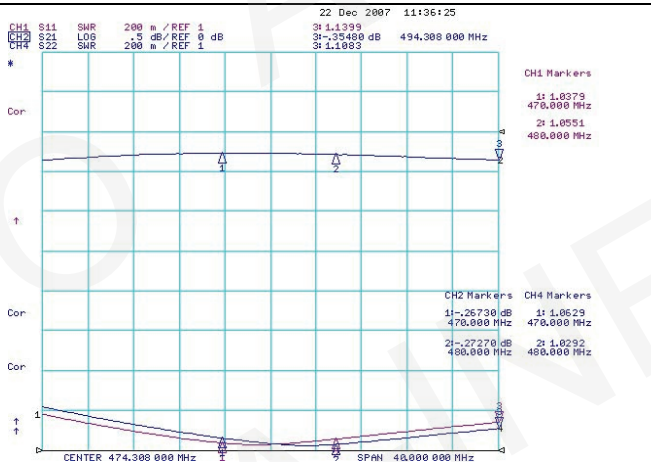
Outline Drawing (Size: mm)



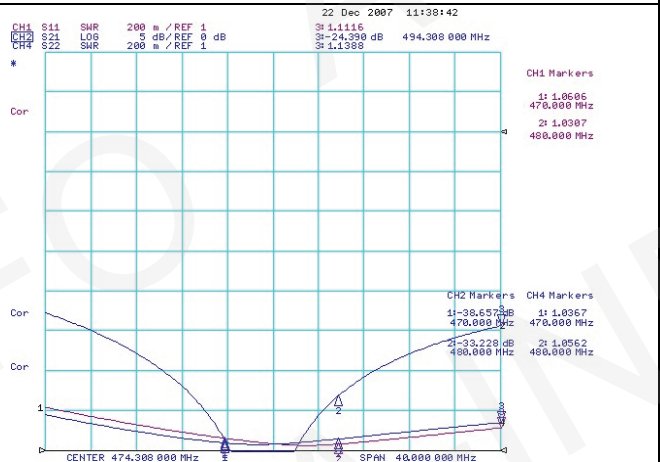
Test Results

Port1~2

Insertion Loss & VSWR

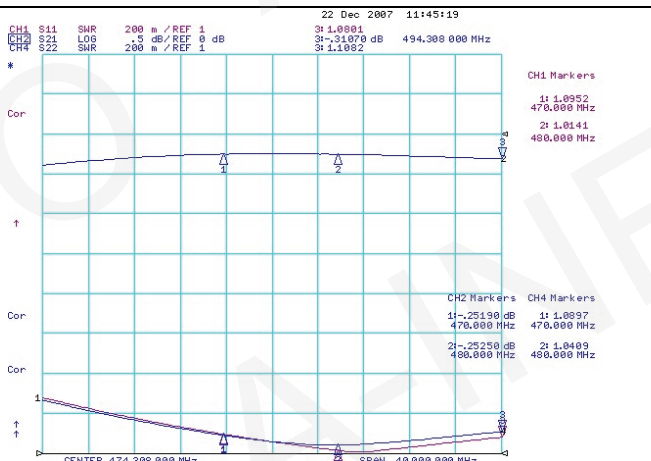


Isolation

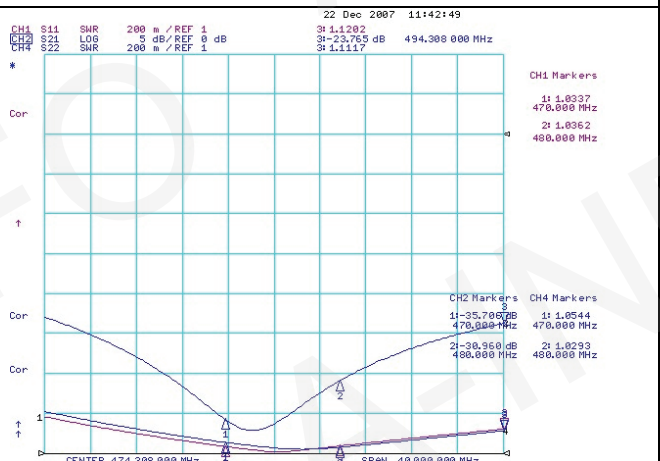


Port2~3

Insertion Loss & VSWR

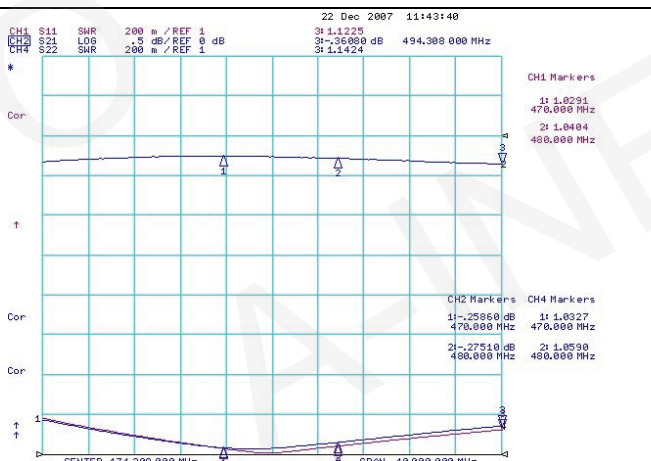


Isolation



Port3~1

Insertion Loss & VSWR



Isolation

