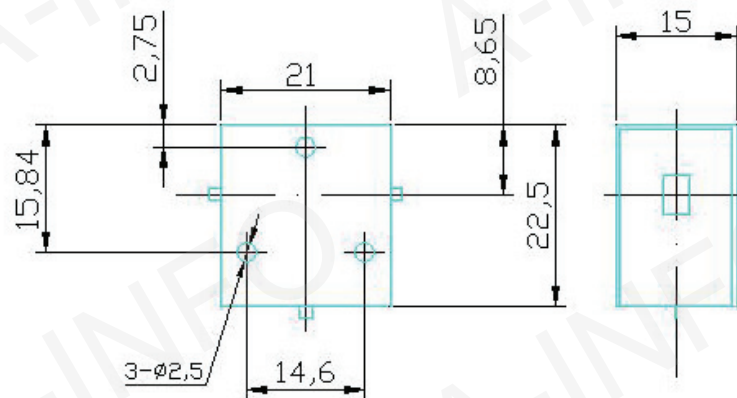


Outline Drawing (Size: mm)



Test Result Table

Item	Technical Specification	Test Results
Frequency Range(GHz)	4-8	4-8
Insertion Loss(dB)	0.6 max	0.38 max
Isolation(dB)	17 min	18.0 min
VSWR	1.40 max	1.32 max
Forward Power(W)	50 CW	50 CW
Reverse Power(W)	20 CW	20 CW
Connector	Drop-In	Drop-In
Operating Temperature(°C)	-40 ~ +70	-40 ~ +70
Storage Temperature(°C)	-55 ~ +85	-55 ~ +85