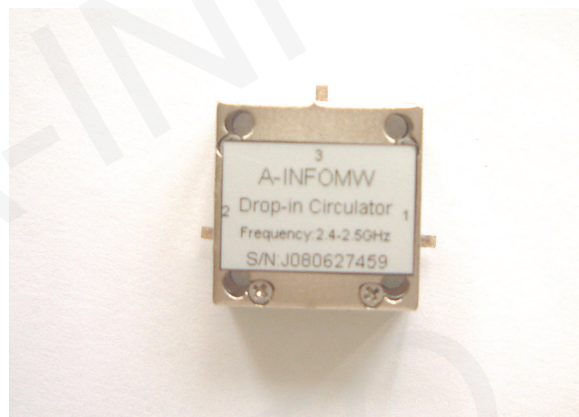


Test report is for reference only.

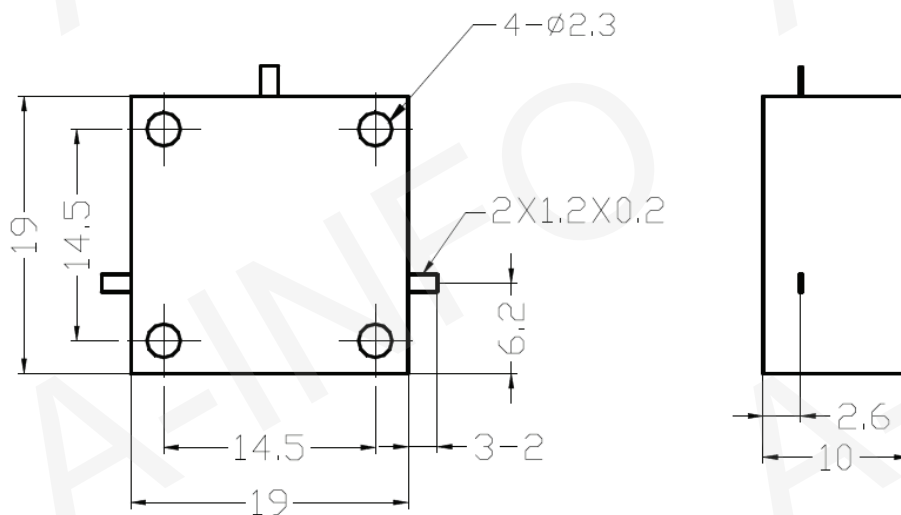
TEST REPORT
For
JXWBHX-D-2400-2500-18-10



Technical Specification

Frequency Range(MHz)	2400-2500
Insertion Loss(dB)	0.45 max
VSWR	1.25 max
Isolation(dB)	18 min
Forward Power(W)	10
Reverse Power(W)	10
Operating Temperature(°C)	-40~+70
Storage Temperature(°C)	-55~+85
Direction	Clockwise
Tolerance(mm)	+/-0.2
Net Weight(Kg)	0.02 Around

Outline Drawing (Size: mm)



Test Results

+25 °C			-40 °C			+70 °C		
Insertion Loss (dB)	VSWR	Isolation (dB)	Insertion Loss (dB)	VSWR	Isolation (dB)	Insertion Loss (dB)	VSWR	Isolation (dB)
0.25	1.10	23.9	0.30	1.15	21.2	0.29	1.18	20.3