

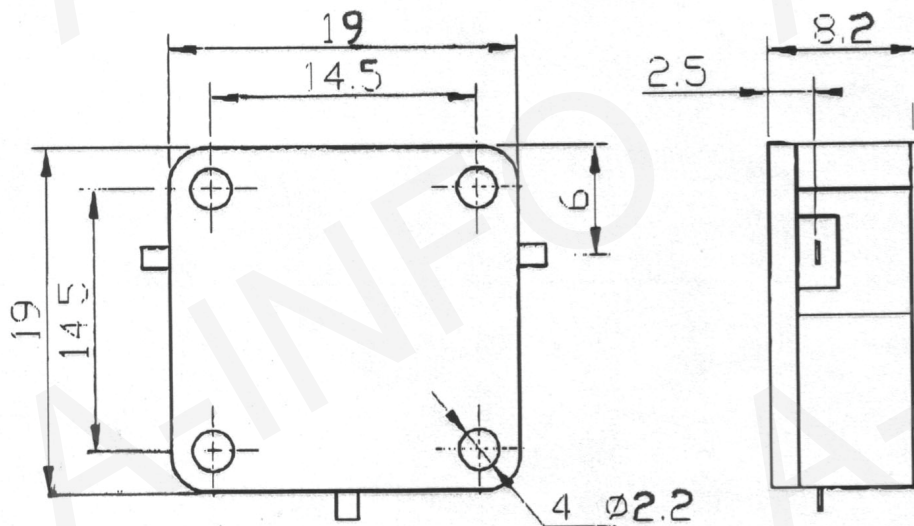
Test report is for reference only.

**TEST REPORT**  
**For**  
**JXWBHX-D-1910-2170-18-4**

## Technical Specification

	1910-2170
Isolation(dB)	18 min
Insertion Loss(dB)	0.5 max
Input Power(W)	4 CW max
VSWR	1.3
Connector	Drop-In
Operating Temperature(°C)	-40 ~ +70
Storage Temperature(°C)	-55 ~ +85
Size(mm)	19 x 19 x 8.2

## Outline Drawing (Size: mm)



## Test Results

Frequency Range(MHz)	Isolation(dB)	VSWR	Insertion Loss(dB)
1910-2170	22.7	20.2	0.46