

Test report is for reference only.

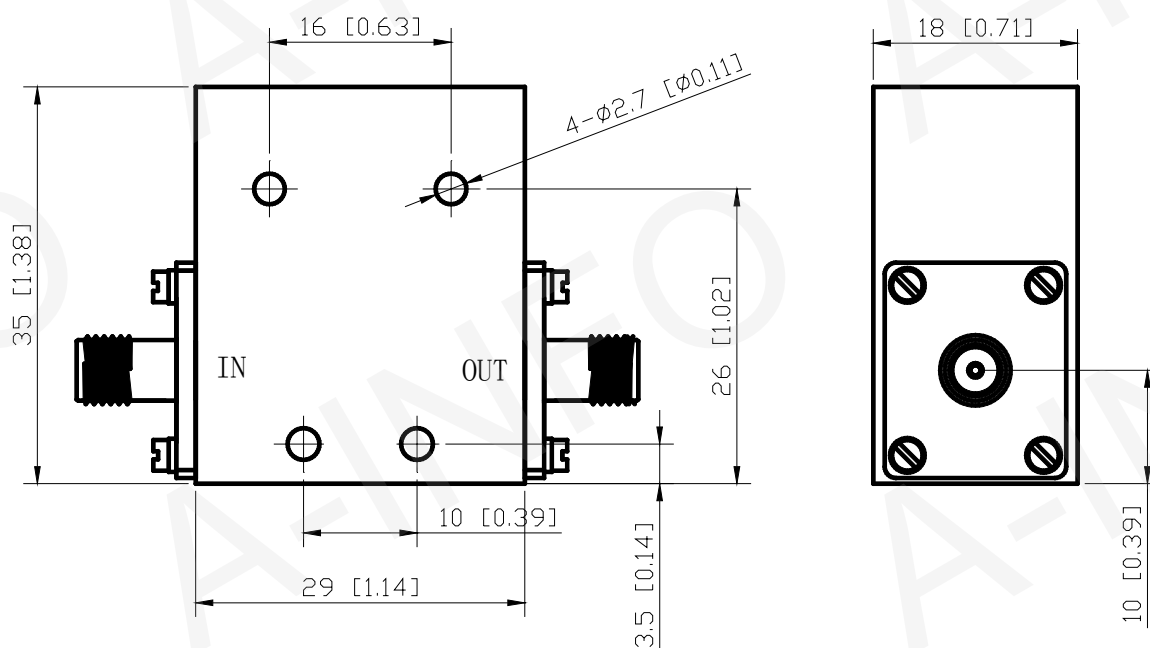
**TEST REPORT**  
**For**  
**JXWBGL-T-850-960-20-2**



## Technical Specification

Frequency Range (MHz)	850~960
Isolation(dB)	20 min
Insertion Loss(dB)	0.4 max
VSWR	1.25 max
Forward Power(W)	2 CW
Reverse Power(W)	2 CW
Connectors	SMA-Female
Net Weight(Kg)	0.080 Around

## Outline Drawing (Size: mm)



## Test Results

Insertion Loss (dB)	VSWR	Isolation (dB)
0.4 max	1.25 max	20 min
0.24	1.16	24.2