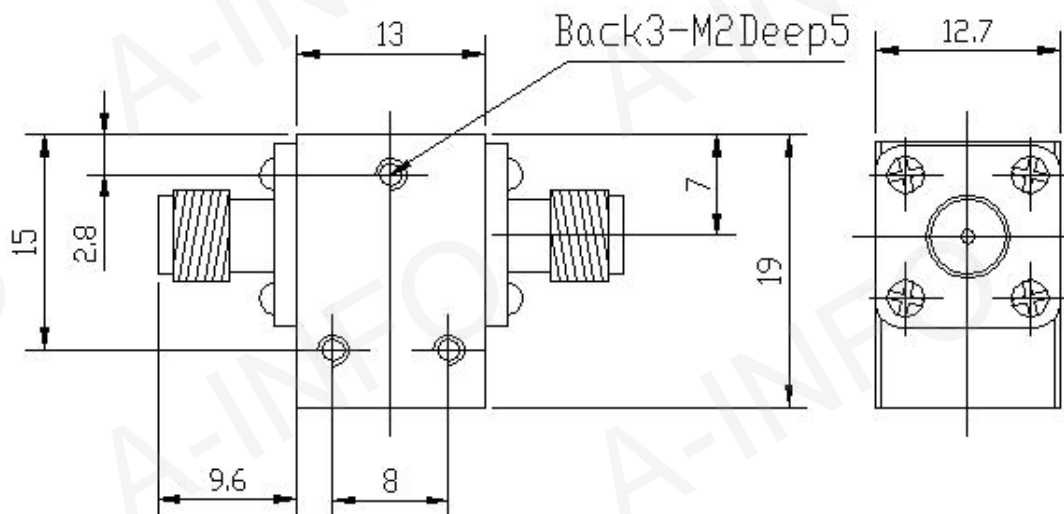


Outline Drawing (Size: mm)



Test Results Table

Item	Technical Specification	Test Results
Frequency Range(GHz)	8-12	8-12
Bandwidth	Full	Full
Insertion Loss(dB)	0.5 max	0.4 max
Isolation(dB)	20 min	22 min
VSWR	1.25 max	1.18 max
Power Forward(W)	20	20
Power Reverse(W)	5	5
Peak Power(W)	100	100
Connector	SMA-Female	SMA-Female
Operating Temperature(°C)	-40 ~ +70	-40 ~ +70