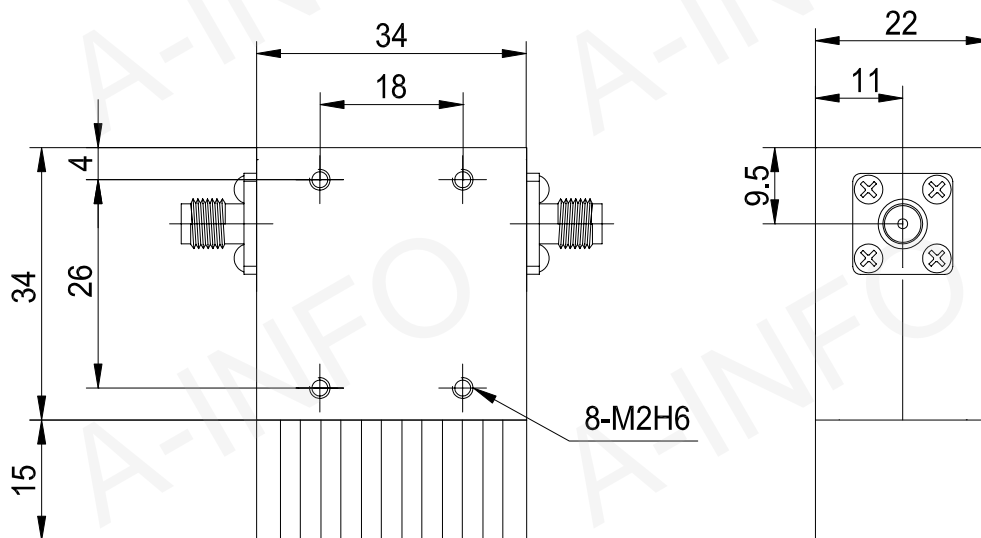


Outline Drawing (Size: mm)



Test Result Table

Item	Technical Specification	Test Results
Frequency Range(MHz)	800-1500	800-1500
Bandwidth(MHz)	70	70
Operating Frequency(MHz)	1020-1090	1020-1090
Insertion Loss(dB)	0.25 max	0.20 max
Isolation(dB)	25 min	28.0 min
VSWR	1.15 max	1.07 max
Power Forward(W)	100	100
Power Reverse(W)	60	60
Connector	SMA-Female	SMA-Female
Temperature Range(°C)	-40 ~ +70	-40 ~ +70