

Test report is for reference only.

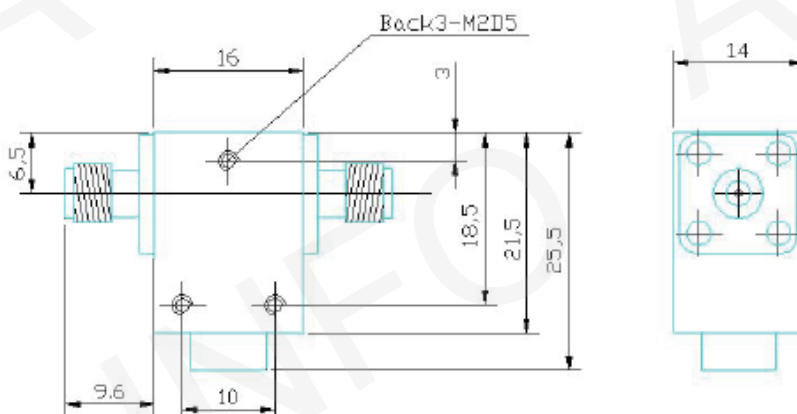
TEST REPORT
For
JXWBGL-T-7500-18000-11-5



Technical Specification

Frequency Range(GHz)	7.5-18
Insertion Loss(dB)	1.5 max
Isolation(dB)	11 min
VSWR	1.9:1 max
Average Power(W)	5 CW
Peak Power(W)	50 CW
Operating Temperature(°C)	-30 ~ +85
Connector	SMA-Female
Directional	From left to right
Net Weight(Kg)	0.045 Around

Outline Drawing (Size: mm)



Test Results

Frequency Range(GHz)	Insertion Loss(dB)	Isolation(dB)	VSWR
7.5-18	1.35 max	12 min	1.90 max