

Test report is for reference only.

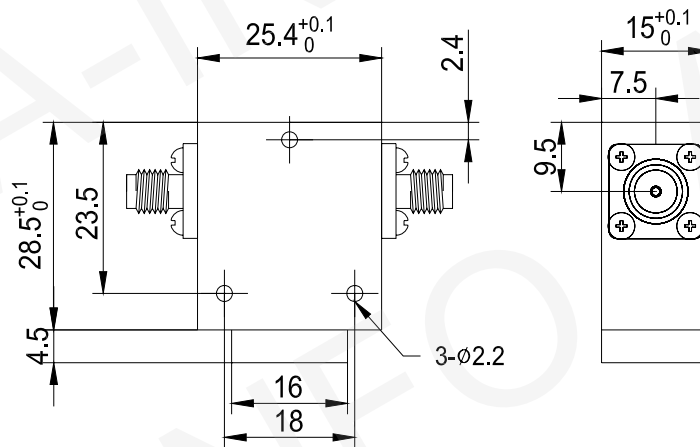
TEST REPORT
For
JXWBGL-T-1800-1880-25-10



Technical Specification

Frequency Range(MHz)	1800~1880
Insertion Loss(dB)	0.25
Isolation(dB)	25
VSWR	1.20:1
Forward Power(W)	10
Reverse Power(W)	5
Temperature(°C)	-10~+60
Connector	SMA-Female
Net Weight(Kg)	0.055 Around

Outline Drawing (Size: mm)



Test Results

Insertion Loss & Isolation & VSWR

