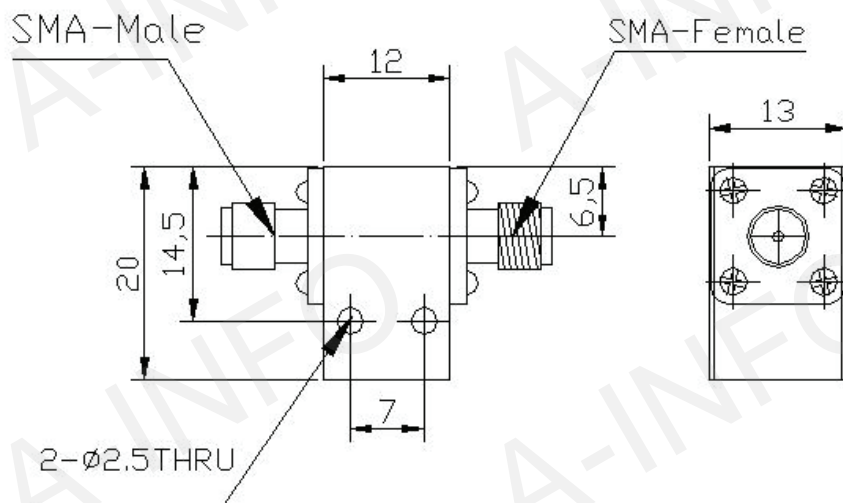


Outline Drawing (Size: mm)



Test Result Table

| Item | Technical Specification | Test Results |
|---------------------------|-------------------------|--------------|
| Frequency Range(GHz) | 17.3-18.1 | 17.3-18.1 |
| Insertion Loss(dB) | 0.7 max | 0.51 max |
| Isolation(dB) | 20 min | 22 min |
| VSWR | 1.30 max | 1.25 max |
| Forward Power(W) | 1 | 1 |
| Reverse Power(W) | 1 | 1 |
| Input Connector | SMA-Male | SMA-Male |
| Output Connector | SMA-Female | SMA-Female |
| Operating Temperature(°C) | -40 ~ +70 | -40 ~ +70 |